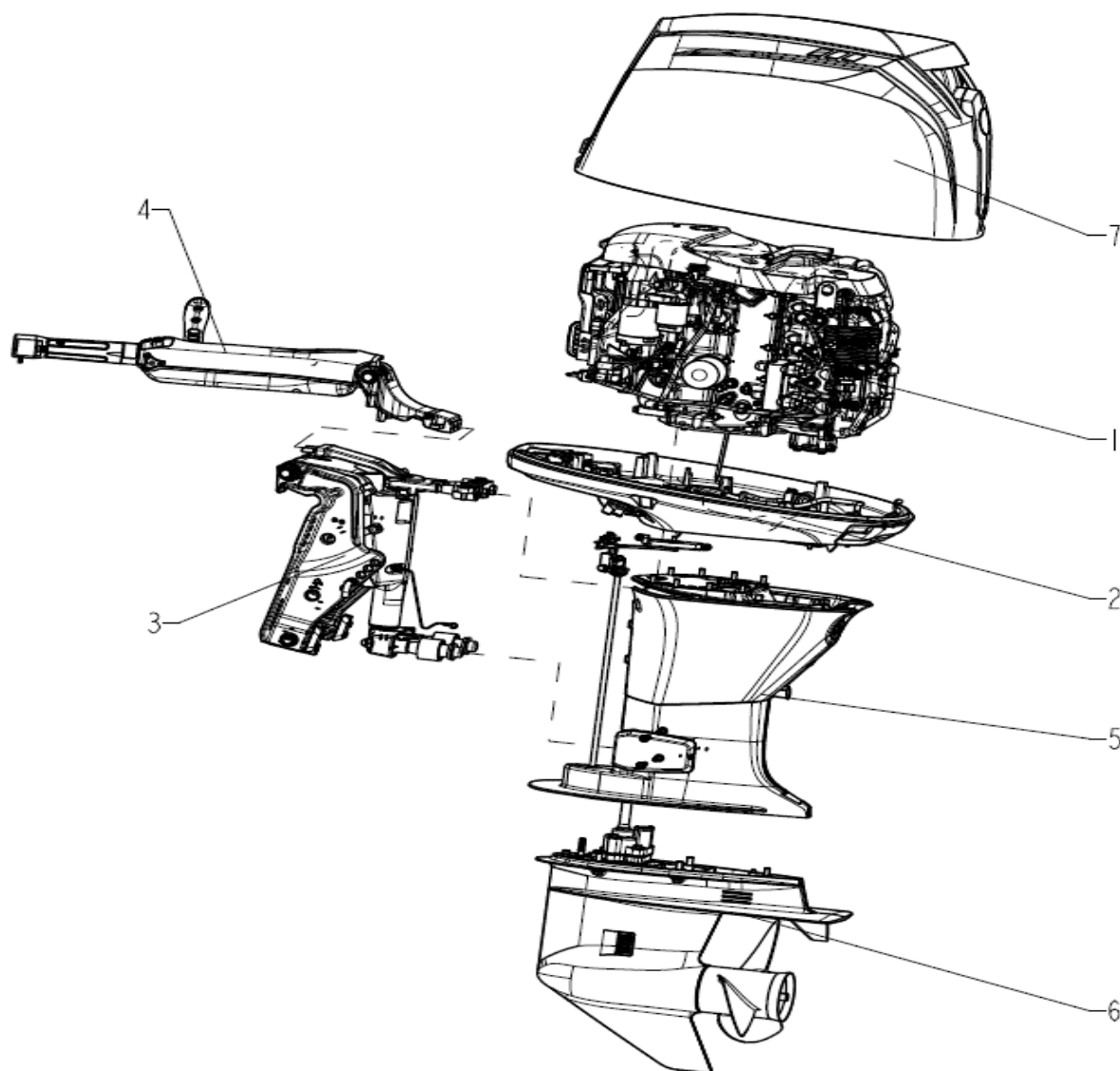


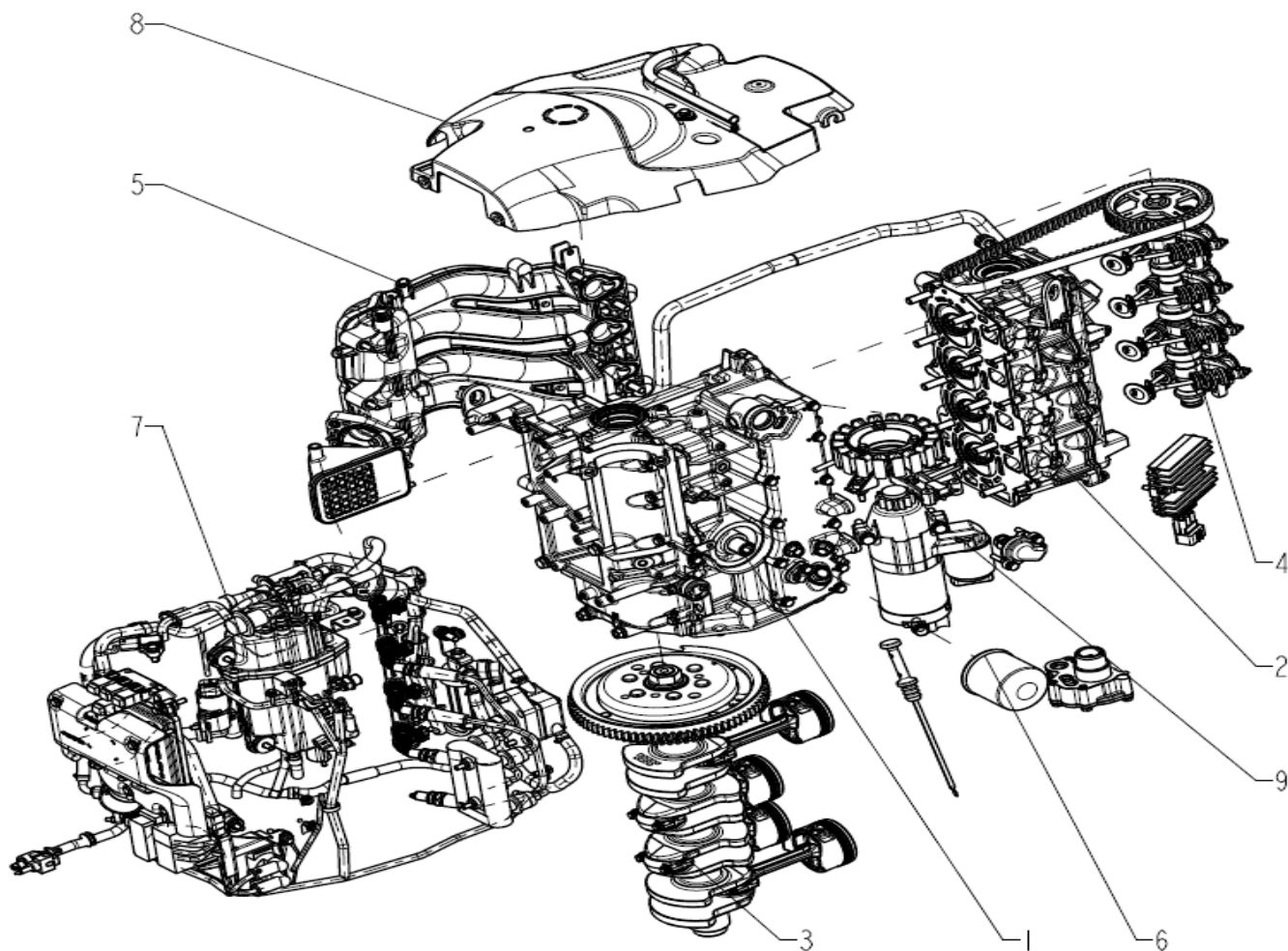


**Мотор лодочный Marine Rocket MREF60FVEL-T (996 см<sup>3</sup>)**



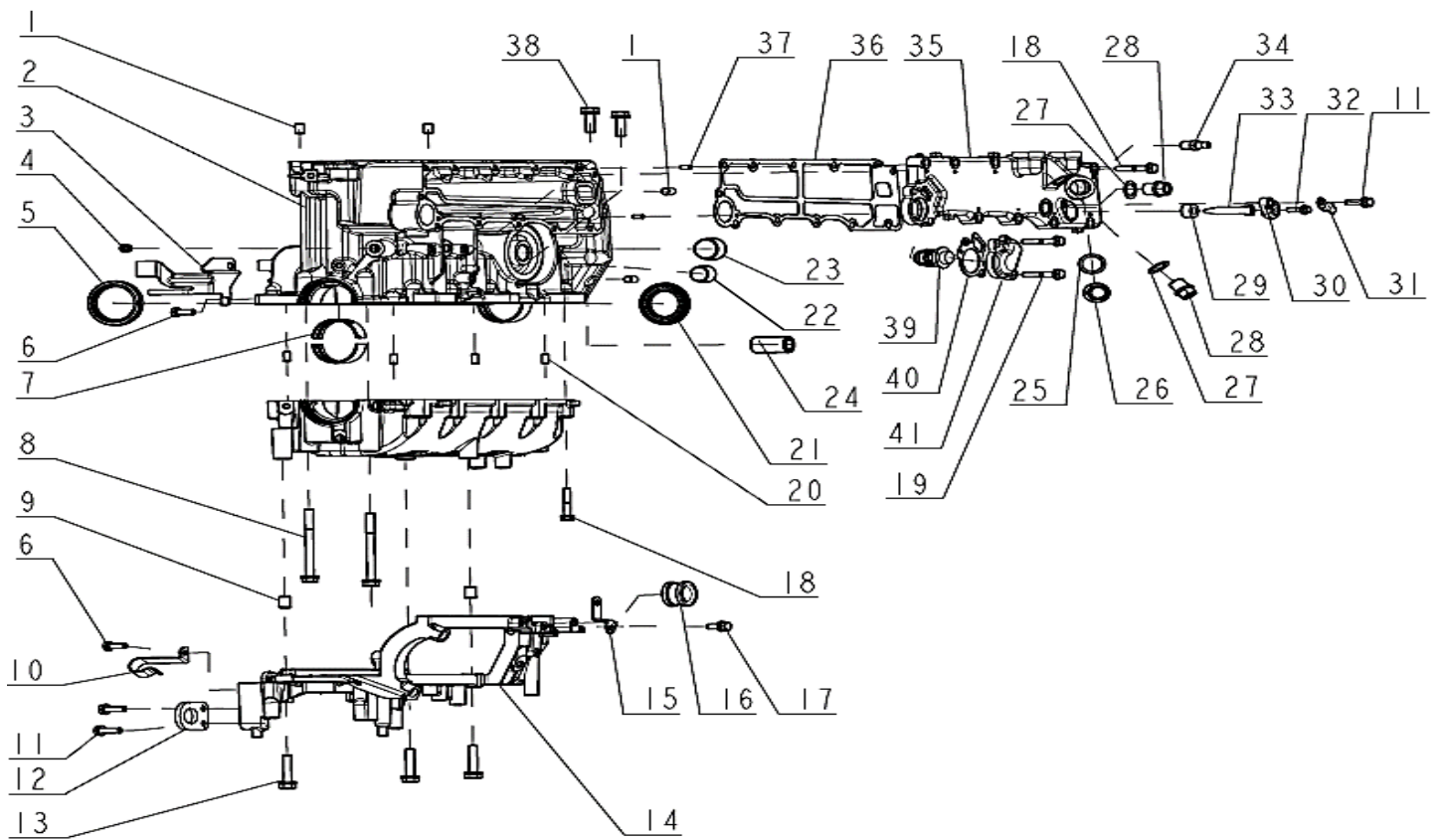
### 1. Узлы и блоки 1

NO.	КОД MR	КОД OEM	НАИМЕНОВАНИЕ	ШТ	УПАКОВКА
1		F60-01-00-00-00	Engine Assy.	1	
2		F60-02-00-00-00	Base assembly	1	
3		F60-03-00-00-00	Clamping system	1	
4		F60-04-00-03-00	Steering assembly	1	
5		F60-05-00-00-00	Waterborne casing	1	
6		F60-06-00-00-00	Underwater drive assembly	1	
7		F60-07-00-00-00	Top cowling assy	1	



## 2. Узлы и блоки 2

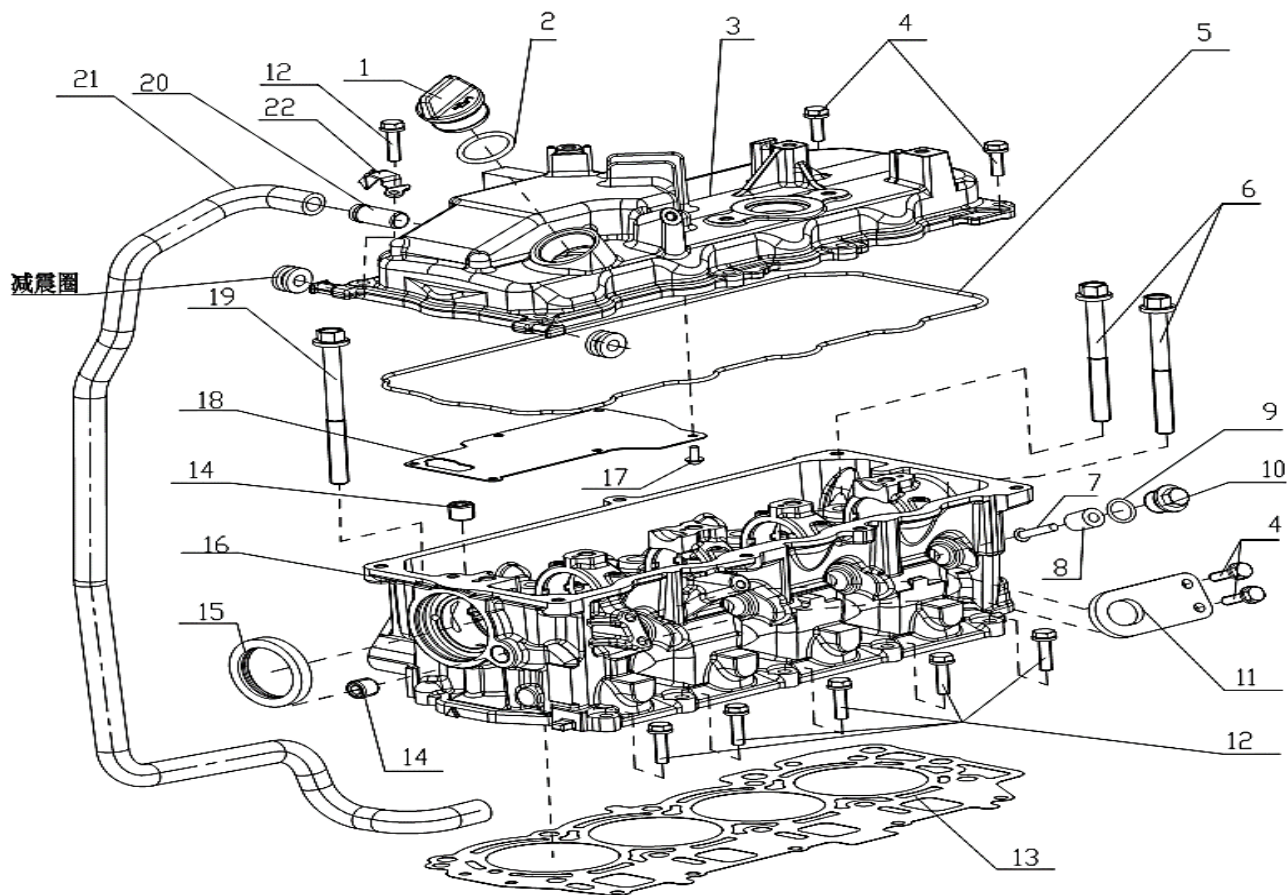
NO.	КОД MR	КОД OEM	НАИМЕНОВАНИЕ	ШТ	УПАКОВКА
1		F60-01.01.00.00	Cabinet system assembly	1	
2		F60-01.02.00.00	Cylinder head assembly	1	
3		F60-01.03.00.00	Crank connecting rod assembly	1	
4		F60-01.04.00.00	Valve train assembly	1	
5		F60-01.05.00.00	Intake system assembly	1	
6		F60-01.06.00.00	Lubrication system	1	
7		F60-01.07.00.00	Fuel electronic control system	1	
8		F60-01.08.00.00	Starter cover assembly	1	
9		F60-01.09.00.00	Electrical system	1	



### 3. Блок цилиндров

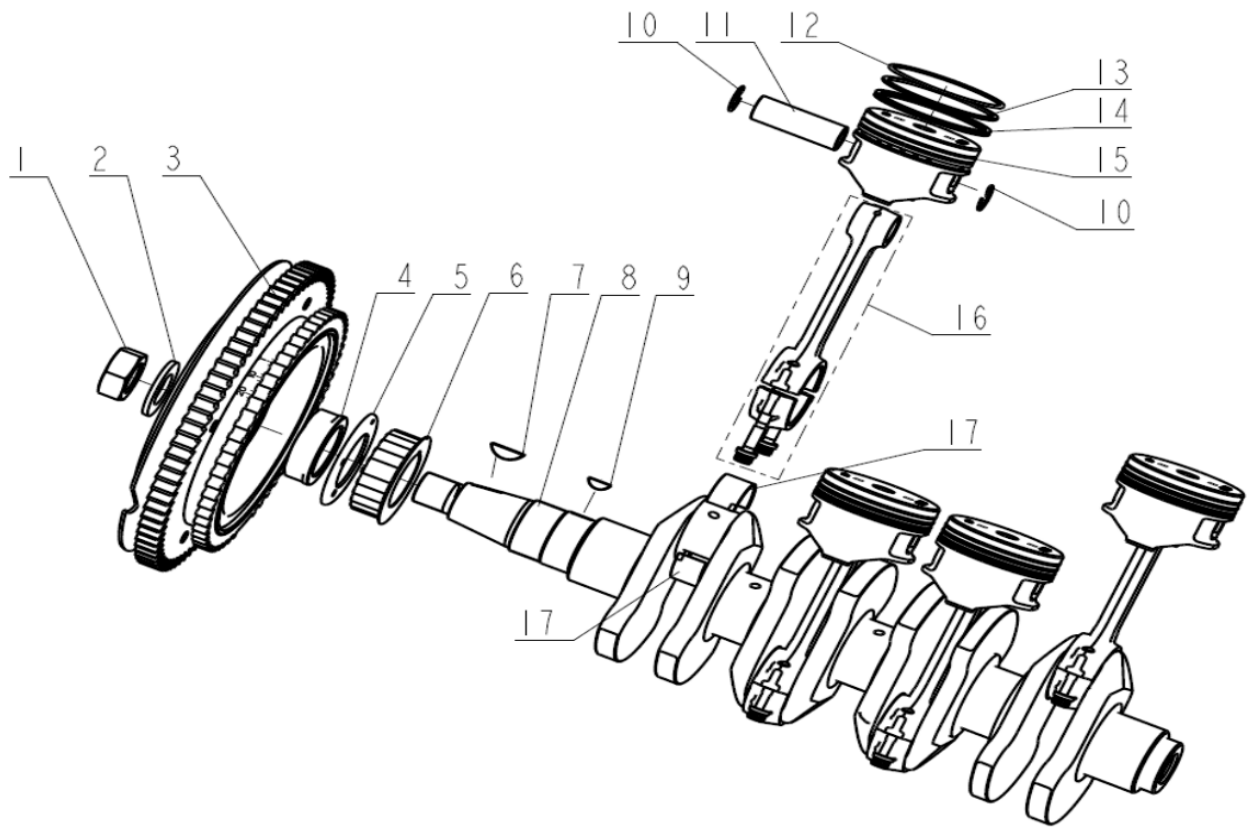
NO.	КОД MR	КОД №2	КОД OEM	НАИМЕНОВАНИЕ	ШТ	УПАКОВКА
1	MR01021110BAG		40F-01.06.00.25	Dowel pin 8*12	4	5
2	MR2202701058A		F60-01.01.01.10	Cabinet assembly	1	1
3	MR2082701059A		F60-01.01.00.25	Crankcase ventilation pipe fixing bracket 2	1	1
4	MR0104201		F15-01.01.00.07	Plug	1	1
5	MR01051810		F25-01.04.00.23	Oil seal(upper),crankshaft	1	1
6	MR0104404BAG		GB9074.1 M6*16(8.8)	Bolt	2	10
7	MR2052701005A			Main bearing (green)	10	1
	MR2052701005B			Main bearing (black)	10	1
	MR2052701005C			Main bearing (red)	10	1
	MR2052701005D			Main bearing (yellow)	10	1
8	MR2022701014A		F60-01.01.05.00	Main bearing cover bolt assembly	10	1
9	MR2022701008A		F60-01.01.00.23	Positioning pin sleeve	2	1
10	MR2082701057A		F60-01.01.00.18	Crankcase ventilation pipe fixing bracket 1	1	1
11	MR0104406BAG		GB9074.1 M6*20(8.8)	Flat gasket&Bolt	3	10
12	MR2082701003A		F60-01.01.00.17	Cylinder lifting eye	1	1
13	MR01044135BAG		GB9074.1 M8*35(8.8)	Hexagon headed bolt and flat plate M8*35	3	5
14	MR2012701004A		F60-01.01.00.16	Starting motor bracket	1	1
15	MR2082701004A		F60-01.01.00.19	Plastic snap bracket	1	1
16	MR2062701002A		F60-01.01.00.22	Rubber sheath	1	1
17	MR0104404BAG		GBT9074.17 M6*16	Bolt	1	10
18	MR0104409BAG		GB9074.1 M6*35(8.8)	Hexagonal bolt & flat gasket assy M6*35	20	10
19	MR0104409BAG		GB9074.1 M6*35(8.8)	Hexagonal bolt & flat gasket assy M6*35	2	10
20	MR01020110BAG		GBT119.2 D6*12	Locating Pin 2*6	4	10
21	MR01051811		F25-01.04.00.24	Oil seal(bottom),crankshaft	1	1
22	MR0104291		F25-01.04.00.38	Plug	1	1
23	MR0104292		F25-01.04.00.39	Plug	1	1
24	MR01020210		F15-01.05.00.01	dabber,fuel filter	1	1
25	MR010818006		F25-01.04.00.03	Washer	1	1
26	MR2022701034A		F60-01.01.00.11	bolt	1	1
27	MR010818005BAG		F25-01.04.00.01	Washer 14	2	2
28	MR2022701035A		F60-01.01.00.13	bolt	2	1
29	MR2062701006A		F60-01.01.00.15	Rubber mat	1	1
30	MR2012701024A		F60-01.01.04.02	Flange	1	1

31	MR01080201BAG		F15-01.01.00.06	Conductive slice	1	2
32	MR0104281BAG		GBT16674.1 M5*16	Bolt	1	10
33	MR2012701023A		F60-01.01.04.01	anode	1	1
34	MR2022701007A		F60-01.01.00.08	Return pipe joint	1	1
35	MR2012701003A		F60-01.01.00.06	Exhaust side cover	1	1
36	MR2052701001A		F60-01.01.00.07	Exhaust side cover gasket	1	1
37	MR01020521BAG		GB/T119.2 D4*10	Locating Pin 4*10	2	10
38	MR010406109BAG		GB5789 M8*20(A2-70)	Flange bolt	2	10
39	MR010501040		F15-01.06.14-60°	Thermostat 60°	1	1
40	MR2052701014ABAG		F60-01.06.01.05	Thermostat gasket	1	2
41	MR2012701019A		F60-01.06.01.04	Thermostat cover	1	1



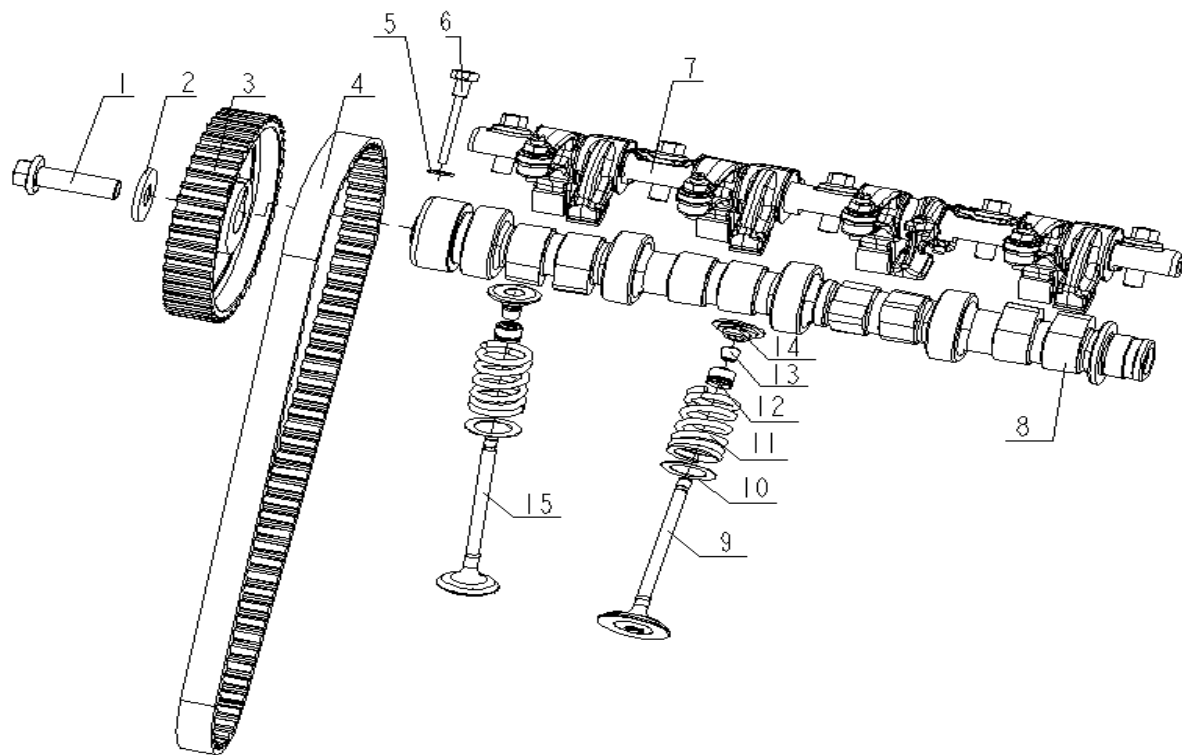
#### 4. Головка цилиндров

NO.	КОД MR	КОД №2	КОД OEM	НАИМЕНОВАНИЕ	ШТ	УПАКОВКА
1	MR01070208BAG		F15-01.03.00.39	Oil filling plug	1	2
2	MR2062701021ABAG		F60-01.02.30.03	O-ring	1	2
3	MR2012701011A		F60-01.02.30.01	Cylinder head cover	1	1
4	MR0104406BAG		GB9074_1.M6X20.8_8	Flat gasket&Bolt	8	10
5	MR2062701022A		F60-01.02.00.06	Cylinder head cover gasket	1	1
6	MR2022701027A		F60-01.02.00.01	Cylinder head bolt	9	1
7	MR0104081BAG		GB818 M5*25	Cross recessed Pan head screws M5*25	4	10
8	MR01010510BAG		F9.9-01.03.00.34	Anode	4	2
9	MR2062701020ABAG		F60-01.02.20.02	O-ring	4	5
10	MR01020516		F9.9-01.03.00.35	bolt	4	1
11	MR2082701023A		F60-01.02.00.05	Front hook	1	1
12	MR0104407BAG		GB9074_1.M6X25.8_8	Hexagonal bolt & flat gasket assy M6*25	6	10
13	MR2052701019A		F60-01.02.00.04	Cylinder head gasket	1	1
14	MR0104202		F15-01.01.00.08	Plug	5	1
15	MR01051822		F25-01.05.00.10	Oil seal(upper),Camshaft	1	1
16	MR2012701090A		F60-01.02.10.00	Cylinder head assembly	1	1
17	MR0104100BAG		GB823 M4*10	Cross recessed small pan head screws M4 * 10	6	10
18	MR2082701024A		F60-01.02.30.04	Cover	1	1
19	MR2022701027B		F60-01.02.00.01A	Cylinder head bolts (total length 123mm)	1	1
20	MR2062701094A		F60-01.02.40.00-EPA	Crankcase vent pipe assembly (EPA)	1	1
21	MR010218008		F25-01.05.01.04	Gas nipple	1	1
22	MR2082701056A		F60-01.07.02.05	Final filter bracket	1	1



## 5. Коленвал, поршневая группа

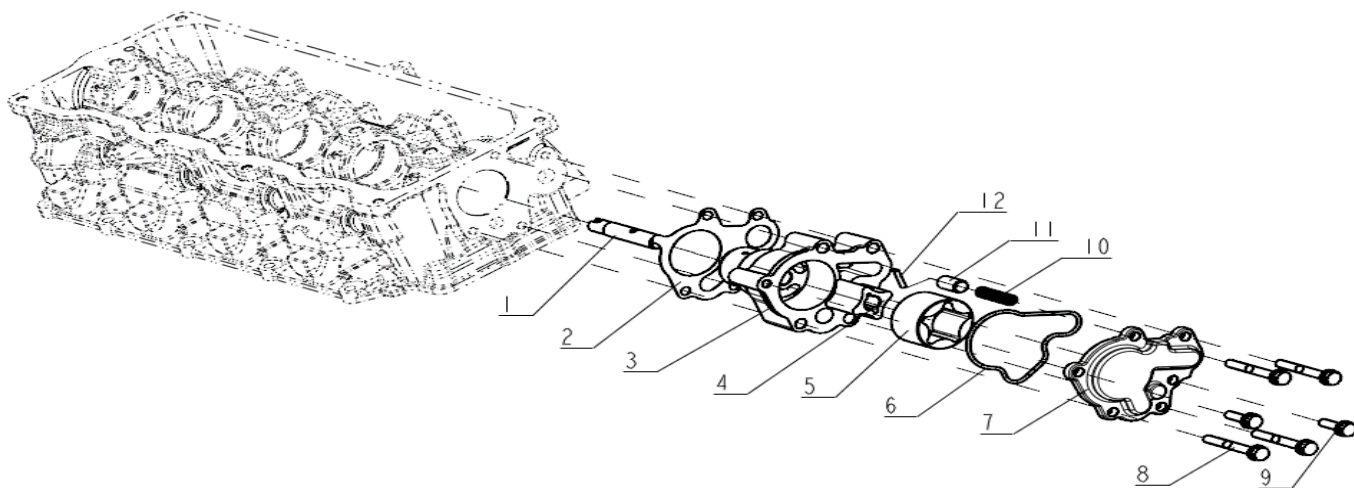
NO.	КОД MR	КОД №2	КОД OEM	НАИМЕНОВАНИЕ	ШТ	УПАКОВКА
1	MR01021106		40F-01.03.02	Flywheel nut	1	1
2			GB97_1.M20	Flat gasket	1	10
3	MR2032701004A		F60-01.09.01.00	flywheel	1	1
4	MR010218006		F25-01.04.00.12	nut,drive pully	1	1
5	MR010818007		F25-01.04.00.13	Stop collar,drive pully	1	1
6	MR01051808		F25-01.04.00.14	Drive pulley	1	1
7	MR011011071		40F-01.03.03	Woodruff key	1	1
8	MR2052701035A		F60-01.03.00.01	Crankshaft	1	1
9	MR01100204BAG		GB.T1099	Woodruff keyoil seal	1	2
10	MR01051814BAG		F25-01.04.00.27	Circlip	8	10
11	MR01051813		F25-01.04.00.26	Pin,piston	4	1
12	MR2052701004A			The first piston ring	4	
13	MR2052701002A		F60-01.03.00.11	Second piston ring	4	
14	MR2052701003A		F60-01.03.01.00	Combination oil ring	4	
15	MR2052701029A		F60-01.03.00.08	piston	4	1
16	MR2052701038A		F60-01.03.02.00	Connecting rod assembly	4	1
17	MR2052701037A		F60-01.03.00.12	Connecting rod shoe (green)	8	1
	MR2052701037B		F60-01.03.00.12	Connecting rod shoe (black)	8	1
	MR2052701037C		F60-01.03.00.12	Connecting rod tile (red)	8	1
	MR2052701037D		F60-01.03.00.12	Connecting rod shoe (yellow)	8	1



## 6. Механизм газораспределения

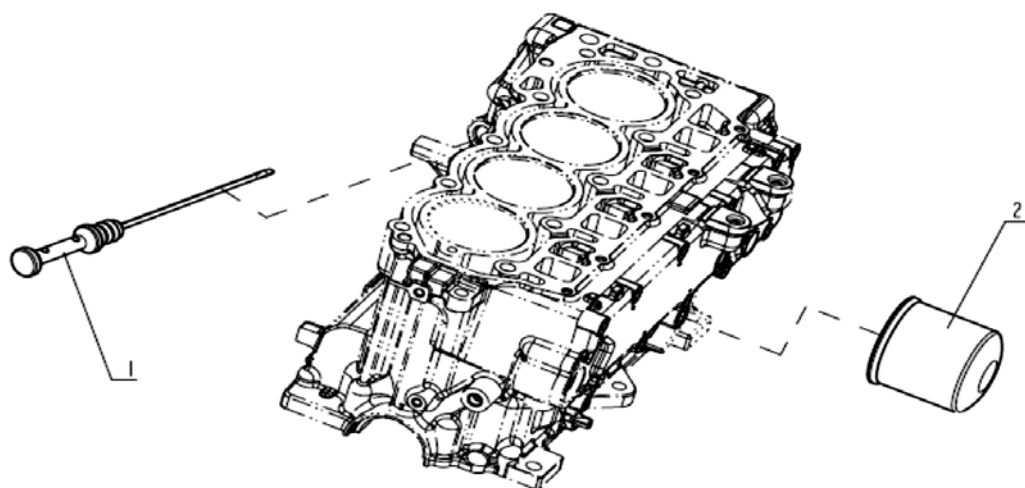
NO.	КОД MR	КОД №2	КОД OEM	НАИМЕНОВАНИЕ	ШТ	УПАКОВКА
1	MR0104290		GB5787 M10*1.25*35(8.8)(S12)	Flange bolt	1	1
2	MR0104166BAG		GB96.M10	Gasket	1	10
3	MR01051818		F25-01.05.00.01	Driven pulley	1	1
4	MR011018005		F25-01.04.00.11	belt	1	1
5	MR010818015		F25-01.05.00.09	Gasket	1	1
6	MR010218009		F25-01.05.00.08	Bolt	1	1
7	MR2052701046A		F60-01.04.10.00	Rocker arm assembly	1	1
8	MR2052701082A		F60-01.04.01.00	Camshaft assembly	1	1
9	MR2052701006A		F60-01.04.00.11	Intake valve	4	1
10	MR2082701007ABAG		F60-01.04.00.14	Valve spring lower seat	8	2
11	MR010918004		F25-01.05.00.14	Valve spring	8	1
12	MR01050229BAG		F15-01.03.00.15	Valve oil seal	8	5
13	MR2082701013ABAG		F60-01.04.00.16	Valve lock clip	16	2
14	MR2082701012A		F60-01.04.00.17	Valve spring upper seat	8	1
15	MR2052701036A		F60-01.04.00.12	Exhaust valve	4	1





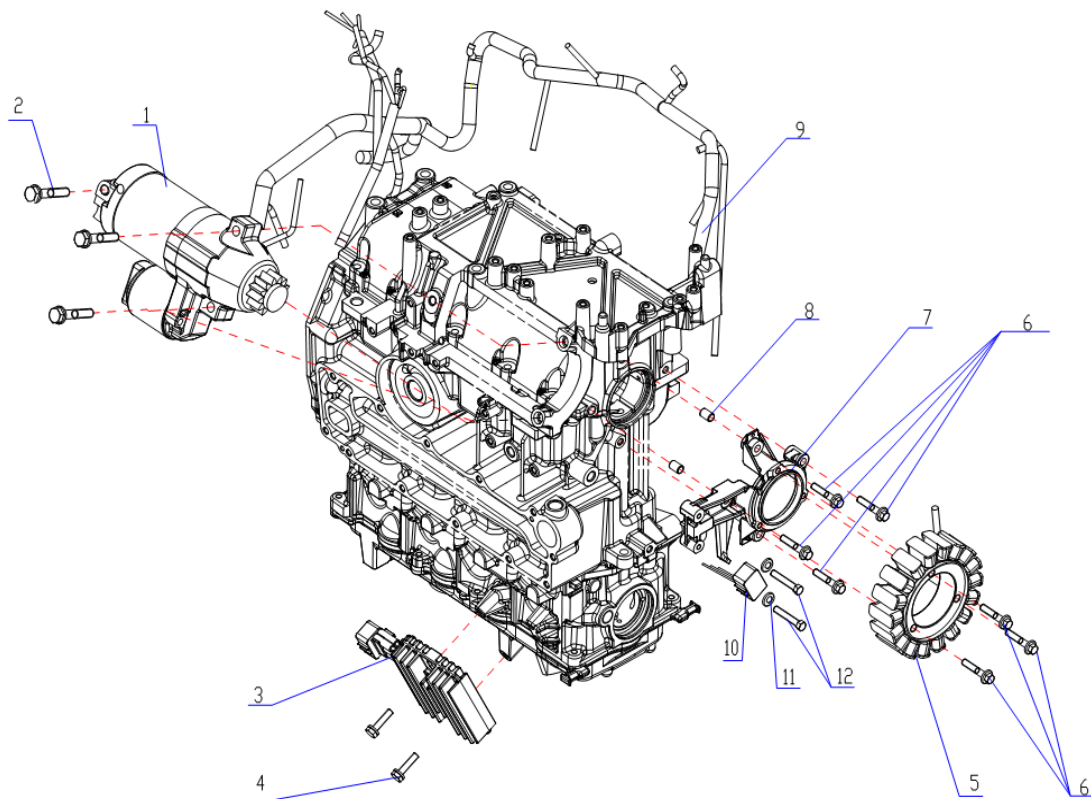
## 7. Масляный насос

NO.	КОД MR	КОД №2	КОД OEM	НАИМЕНОВАНИЕ	ШТ	УПАКОВКА
1	MR2052701101		F60-01.06.02.14	shaft,rotor	1	1
2	MR2052701011A		F60-01.06.01.02	Oil pump gasket	1	1
3	MR2012701029		F60-01.06.02.11	Oil pump housing	1	
4	MR2052701099		F60-01.06.02.12	Inner rotor	1	
5	MR2052701100		F60-01.06.02.13	Outer rotor	1	
6	MR2062701060ABAG		F60-01.06.02.02	rubber sealed loop	1	2
7	MR2012701026A		F60-01.06.02.01	Oil pump cover	1	1
8	MR01044100BAG		GB9074_1.M6X45.8_8	hexagon headed bolt and flat plate Assy.M6*45	4	10
9	MR0104406BAG		GB9074_1.M6X20.8_8	Flat gasket&Bolt	2	10
10	MR2092701008		F60-01.06.01.10	Pressure spring,flood valve	1	1
11	MR010218010BAG		F25-01.06.01.04	Valve element,flood valve	1	2
12	MR010518011BAG		F25-01.06.01.07	needle	1	2



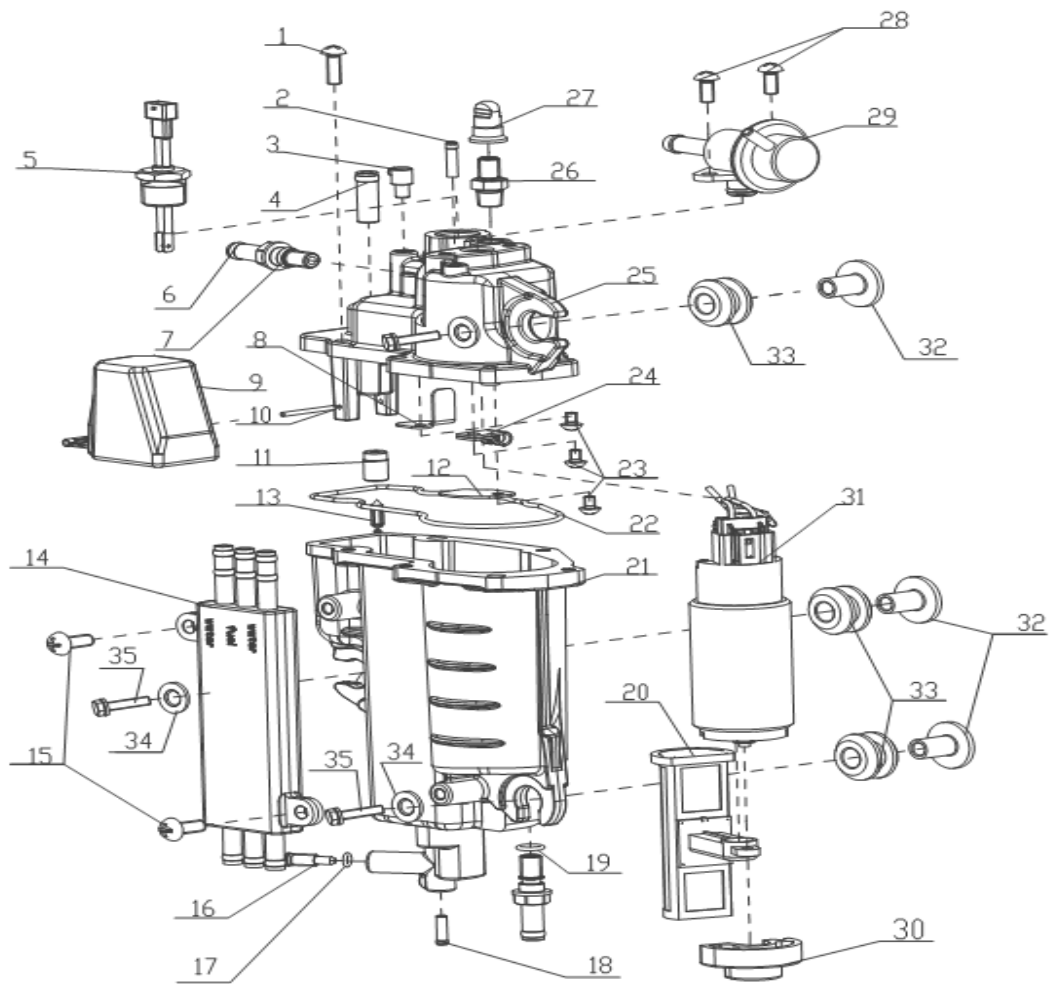
## 8. Масляный фильтр

NO.	КОД MR	КОД №2	КОД OEM	НАИМЕНОВАНИЕ	ШТ	УПАКОВКА
1	MR2102701063A		F60-01.06.01.01	Oil scale assembly	1	1
2	MR01020218		F15-01.05.01.00	Oil filter assembly	1	1



## 9. Стартер, генератор

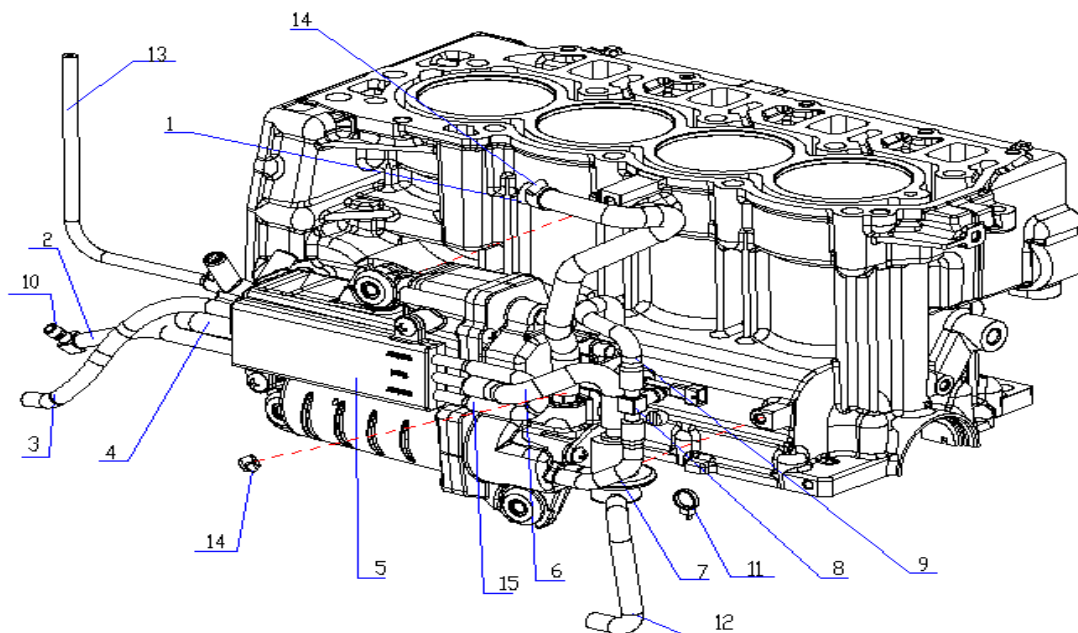
NO.	КОД MR	КОД №2	КОД OEM	НАИМЕНОВАНИЕ	ШТ	УПАКОВКА
1	MR2032701010A		F60-01.09.00.05	Starting motor	1	1
2	MR01044136BAG		GB9074_1.M8X45.8_8	Hexagon headed bolt and flat plate M8*45	3	2
3	MR2032601070		F40-01.02.00.01	rectifier	1	1
4	MR0104407BAG		GB9074_1.M6X25.8_8	Hexagonal bolt & flat gasket assy M6*25	2	10
5	MR2032701001A		F60-01.09.00.04	Stator coil	1	1
6	MR0104058BAG		GB5789.M6X30.8_8	Bolt	7	5
7	MR2012701008A		F60-01.09.00.02	Charging coil bracket	1	1
8	MR2022701033A		F60-01.09.00.03	Charging coil bracket positioning pin sleeve	2	1
9	MR2032701101		F60-01.07.14.21	Bus bundle (with self-locking)	1	1
10	MR2032701103		F60-01.07.14.22	trigger(with self-locking)	1	1
11	MR0104170BAG		GB97.1 M5	Flat gasket	2	10
12	MR0104377BAG		GB5783 M5*20	hex bolt	2	10



## 10. Топливный сепаратор

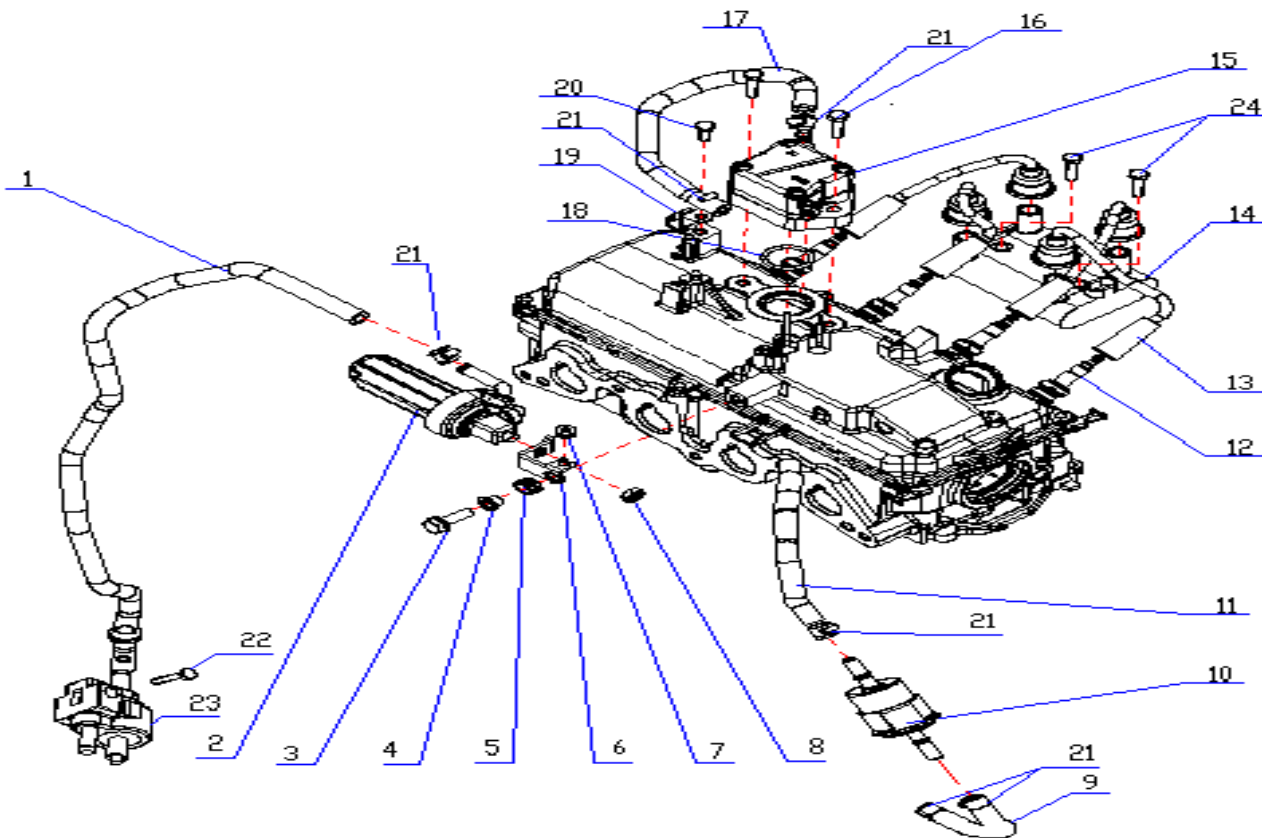
NO.	КОД MR	КОД №2	КОД OEM	НАИМЕНОВАНИЕ	ШТ	УПАКОВКА
1	MR0104079BAG		GB818 M5X16	Pan head bolt with cross recess	6	10
2	MR2022701026ABAG		F60-01.07.03.16	Pipe connector 2	1	2
3	MR2022701015A		F60-01.07.03.15	Fitting 1	1	1
4	MR2022701043ABAG		F60-01.07.03.14	Oil inlet connector	1	2
5	MR2072701022A		F60-01.07.03.21	Oil pump seal connection	1	1
6	MR2022701024A		F60-01.07.03.06	Pipe joint 3	2	1
7	MR2062701049ABAG		F60-01.07.03.08	Pipe coupling 3O ring	1	5
8	MR2082701041A		F60-01.07.03.11	Bezel 2	1	1
9	MR2072701016A		F60-01.07.03.05	Float assembly	1	1
10	MR2022701056A		F60-01.07.03.23	Float pin	1	1
11	MR2052701024ABAG		F60-01.07.03.24	Valve seat	1	2
12	MR2082701040A		F60-01.07.03.10	Bezel 1	1	1
13	MR2052701025ABAG		F60-01.07.03.25	Valve needle	1	5
14	MR2052701015A		F60-01.07.06.00	Condenser assembly	1	1
15	MR01040830BAG		GB818.M6X15	Cross recessed pan head screws	2	10
16	MR2022701044A		F60-01.07.03.18	Oil drain plug	1	1
17	MR2062701054A		F60-01.07.03.19	Oil drain plug O-ring	1	1
18	MR2022701059ABAG		F60-01.07.03.29	Oil chamber discharge port	1	2
19	MR2062701053ABAG		F60-01.07.03.09	O-ring for oil chamber to condenser connector	1	5
20	MR2052701013A		F60-01.07.03.03	In-cavity fuel pump filter	1	1
21	MR2012701010A		F60-01.07.03.02	Lower case	1	1
22	MR2062701078A		F60-01.07.03.26	Sealing ring	1	1
23	MR0104072BAG		GB818.M4X6	Cross recessed Pan head screws M4*6	3	10
24	MR010703480BAG		F4-11.12.31	Clip (plastic)	1	10
25	MR2012701007A		F60-01.07.03.01	Upper shell	1	1
26	MR01051852		F25EI-01.03.06.00	Exhaust valve assembly	1	1

27	MR2062701032A		F60-01.07.03.13	Cap	1	1
28	MR0104077BAG		GB818.M5X12	Screw M5*12	2	10
29	MR2052701012A		F60-01.07.00.19	Pressure regulator	1	1
30	MR2062701057A		F60-01.07.03.27	Cushion	1	1
31	MR2052701021A		F60-01.07.03.04	In-cavity fuel pump	1	1
32	MR2022701031A		F60-01.07.03.07	Oil chamber mounting pad	3	1
33	MR2062701031ABAG		F60-01.07.03.20	Oil room installation washer	3	2
34	MR0104164BAG		GB96 M6	Flat gasket	3	10
35	MR0104058BAG		GB5787 M6*30	Bolt	3	5



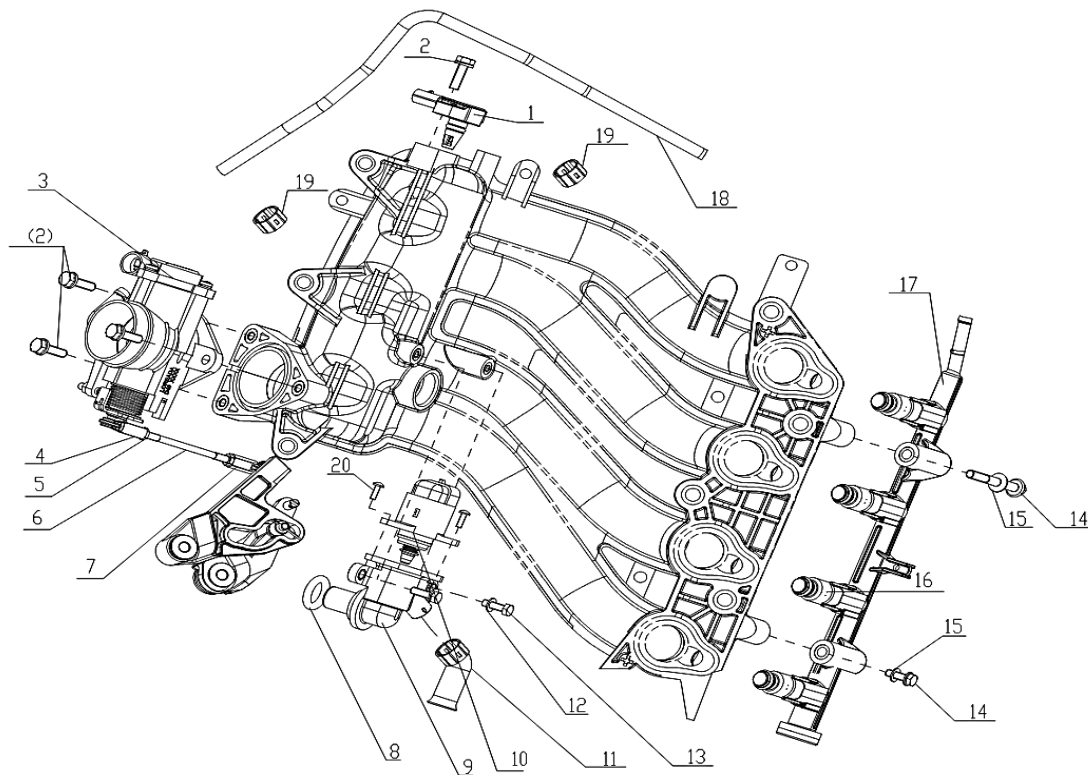
### 11. Топливная система

NO.	КОД MR	КОД №2	КОД OEM	НАИМЕНОВАНИЕ	ШТ	УПАКОВКА
1	MR2062701079A		F60-01.07.04.03-EPA	Fuel rail connection pipe (EPA)	1	1
2	MR2062701045ABAG		F60-01.07.06.07	Condensate inlet pipe	1	2
3	MR2062701009ABAG		F60-01.07.06.05	Condensate outlet pipe	1	5
4	MR2062701091A		F60-01.07.06.04-EPA	Condenser pipe outlet pipe (EPA)	1	1
5	MR2052701015A		F60-01.07.06.00	Condenser assembly	1	1
6	MR2062701095A		F60-01.07.00.27-EPA	Pressure Regulator Condenser (EPA)	1	1
7	MR2062701087A		F60-01.07.00.22-EPA	Tee 1 (EPA) (3 * 7 * 80)	1	1
8	MR2072701001ABAG		F60-01.07.00.21	Tee	1	2
9	MR2062701088A		F60-01.07.00.23-EPA	Tee 2 (EPA) (3 * 7 * 130)	1	1
10	MR2072701026ABAG		F60-01.07.00.30	Right angle two way	1	2
11	MR02010116BAG	MR3005053	4*150	Cable tie (black)	25	10
12	MR2062701033ABAG		F60-01.07.00.20	Manifold connecting pipe of pressure regulating valve	1	2
13	MR2062701092A		F60-01.07.03.28-EPA	Drain pipe (EPA)	2	1
14	MR01080911BAG		3.5F-01.04.05.00	Clamp assy.	2	2
15	MR2062701040ABAG		F60-01.07.06.06	Condensate water pipe	1	5



## 12. Топливная система 1

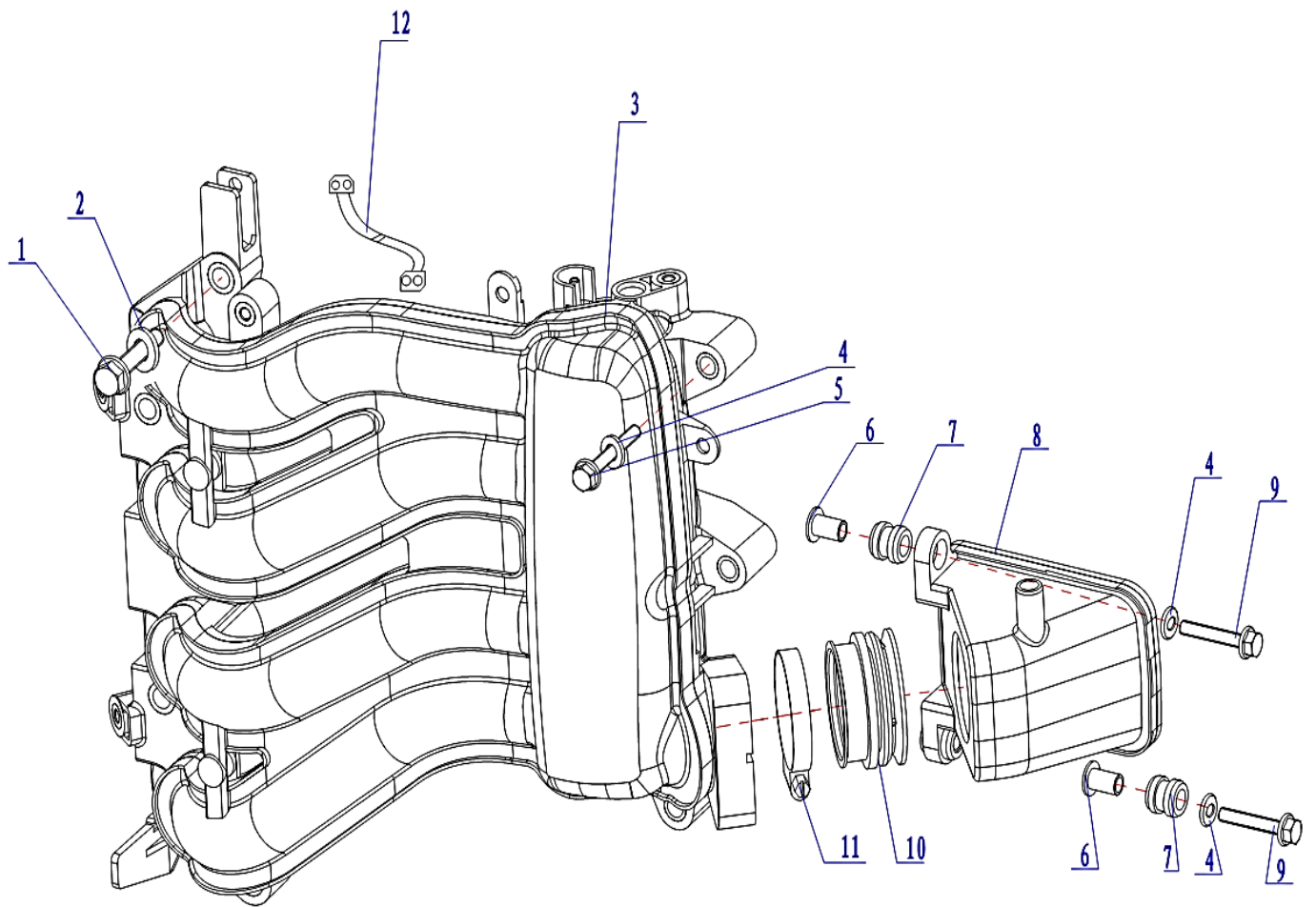
NO.	КОД MR	КОД №2	КОД OEM	НАИМЕНОВАНИЕ	ШТ	УПАКОВКА
1	MR2062701084A		F60-01.07.00.35-EPA	Main fuel inlet pipe inlet long pipe (EPA)	1	1
2	MR2072701007A		F60-01.07.01.01	Fuel Filter	1	1
3	MR01044134BAG		GB9074_1.M8X25.8_8	Hexagonal bolt & flat gasket assy M8*25	1	10
4	MR2022701047ABAG		F60-01.07.01.06	Fuel filter feet	1	2
5	MR2062701042ABAG		F60-01.07.01.04	Fuel filter cushion 2	1	2
6	MR2082701027A		F60-01.07.01.05	Fuel filter bracket	1	1
7	MR2062701041ABAG		F60-01.07.01.03	Fuel filter cushion 1	1	2
8	MR0104139BAG		GB6170 M8	Bolt nut	1	10
9	MR2062701081A		F60-01.07.02.01-EPA	Oil chamber with plunger pump tubing (EPA)	1	1
10	MR01051848		F25EI-01.03.02.00	Final filter assembly	1	1
11	MR2062701080A		F60-01.07.02.04-EPA	Plunger pump with short oil chamber (EPA)	1	1
12	MR01030312		DPR6EB.9	Spark Plug	4	1
13	MR2032701036A		F60-01.07.14.12	High-voltage line components (including 4)	1	1
14	MR2032701070A		F60-01.07.00.16	Ignition coils	1	1
15	MR2052701007A		F60-01.07.00.02	Fuel pump	1	1
16	MR010405702BAG		GB5789 M6*28 8.8	Hexagon flange bolts	2	10
17	MR2062701082A		F60-01.07.01.02-EPA	Filter plunger pump connection pipe (EPA) (295mm)	1	1
18	MR2062701052ABAG		F60-01.07.05.04	Piston pump O-ring	1	2
19	MR2082702004ABAG		F60-02.00.01.04	Harness bracket 2	1	2
20	MR0104404BAG		GB9074.1 M6*16(8.8)	Bolt	1	10
21	MR01080911BAG		3.5F-01.04.05.00	Clamp assy.	7	2
22	MR0104406BAG		GB9074.1 M6 *20 8.8	Flat gasket&Bolt	1	10
23	MR01100106		15F-01.07.01.00	Fuel hose joint assy	1	1
24	MR0104409BAG		GB9074.1 M6*35(8.8)	Hexagonal bolt & flat gasket assy M6*35	2	10



### 13. Впускная система

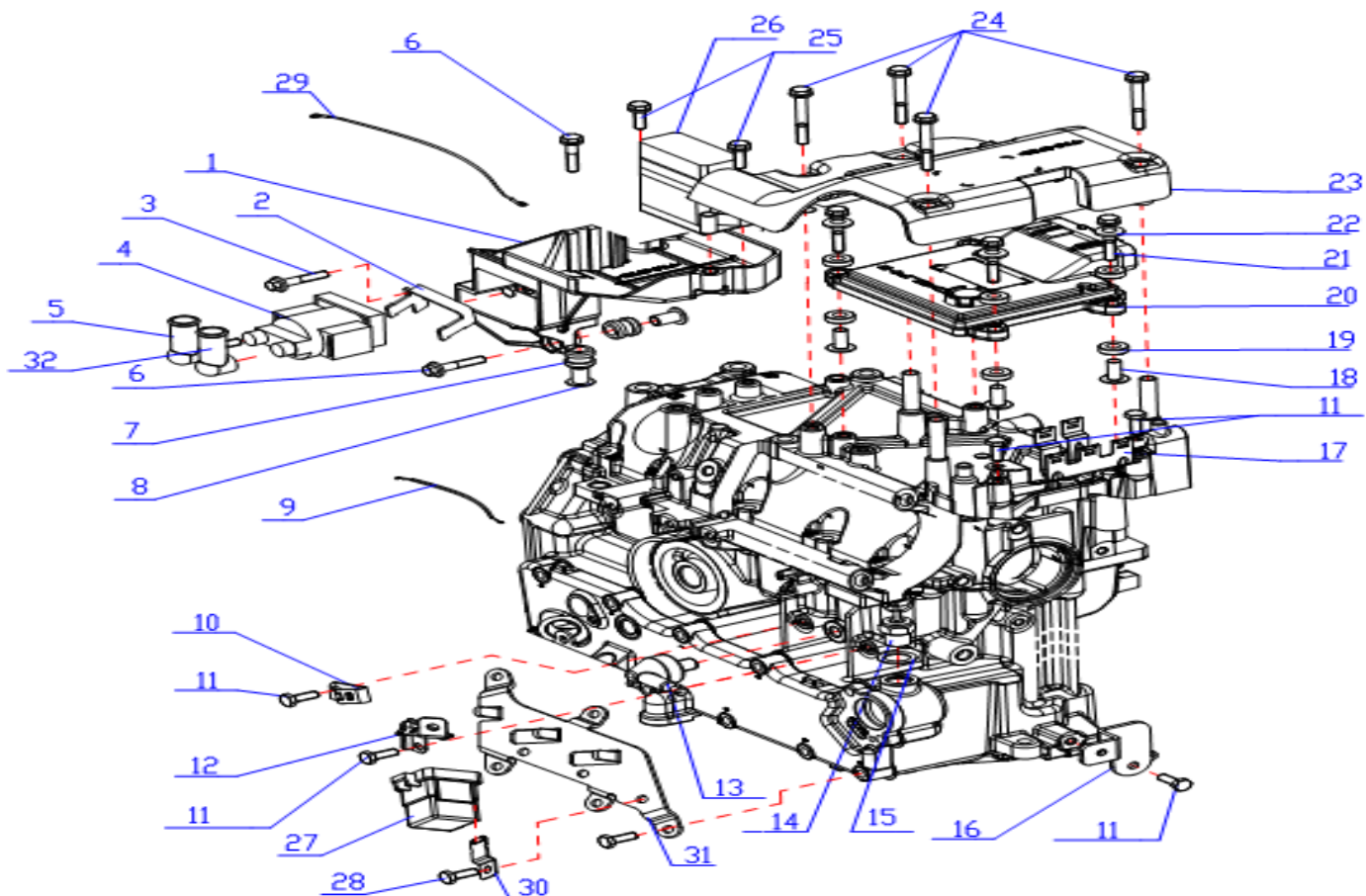
NO.	КОД MR	КОД №2	КОД OEM	НАИМЕНОВАНИЕ	ШТ	УПАКОВКА
1	MR2032701002A		F60-01.07.00.03	Intake air temperature and pressure sensor	1	1
2	MR0104406BAG		GB9074_1.M6X20.8_8	Flat gasket&Bolt	1	10
3	MR2052701077B			Throttle	1	1
4	MR01070117BAG		15F-01.03.12	Linkage connector	1	2
5	MR0104323BAG		GB6172.1 M5	Hexagonal thin nut M5	2	10
6	MR2022701061ABAG		F60-01.07.08.05	Throttle valve metal connecting rod	1	2
7	MR010713013BAG		30F-01.05.00.03	Timing adjustment connecting bolt	1	2
8	MR2062705014A		GB/T3452.1 16*4.5	O-ring	1	1
9	MR2072701025A		F60-01.07.05.02	Gas valve mounting seat	1	1
10	MR2032701020A		F60-01.07.05.03	Gas valve stepping motor	1	1
11	MR2072701024ABAG		F60-01.07.05.01	Filling valve round tube	1	2
12	MR0104170BAG		GB97.1 M5	Flat gasket	2	10
13	MR0104281BAG		GB5783 M5*16 8_8	Bolt	2	10
14	MR01040601BAG		GB5789.M6X50.8_8	Hexagon flange bolt (iron-chromium alloy) M6 * 50 (8.8)	2	10
15	MR0104164BAG		GB96 M6	Flat gasket	1	10
16	MR01051847		F25EI-01.03.01.00	Injector assembly	4	1
17	MR2072701047A		F60-01.07.04.10	Fuel rail	1	1
18	MR2062701090A		F60-01.07.00.06-EPA	Throttle valve (EPA) (415mm)	1	1
19	MR2072701071A		F60-01.07.14.03	Arrow Tie	2	1
20	MR0104217BAG		GB818 M4*8	Pan head bolt with cross recess M4*8	2	10





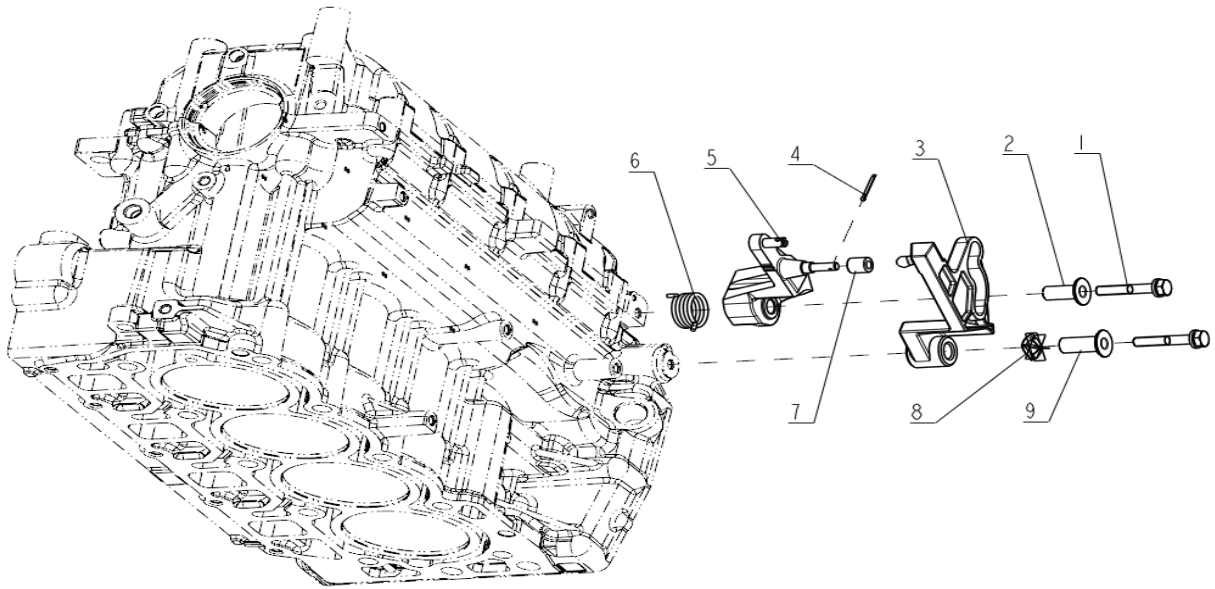
#### 14. Впускной коллектор

NO.	КОД MR	КОД №2	КОД OEM	НАИМЕНОВАНИЕ	ШТ	УПАКОВКА
1	MR0104214		GB5789-M8X40	Hexagon flange bolts	5	1
2	MR0104165BAG		GB96 M8	Flat gasket	5	10
3	MR2072701005A		F60.01.05.01.00	Intake manifold	1	1
4	MR0104164BAG		GB96 M6	Flat gasket	5	10
5	MR0104198		GB5787-M6X45.8_8	Hexagon flange bolts	3	1
6	MR2022701021ABAG		F60-01.05.02.12	bushing	2	2
7	MR2062701007ABAG		F60-01.05.02.11	Cushion	2	2
8	MR2072701006A		F60-01.05.02.10	Air filter	1	1
9	MR0104232BAG		GBT5787-M6X35.8_8	Hexagon flange bolts	2	5
10	MR2062701008A		F60-01.05.02.13	Rubber sleeve	1	1
11	MR2B50001BAG		D50QCT620-1999	Clamp	1	5
12	MR2032701102		F60-01.07.05.05	Stepper motor adapter cable	1	1



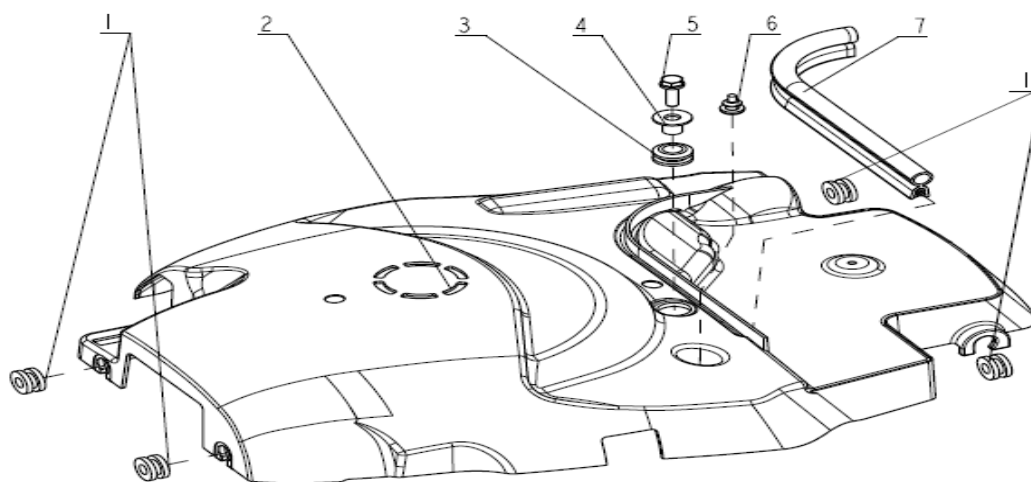
## 15. Электрооборудование

NO.	КОД MR	КОД №2	КОД OEM	НАИМЕНОВАНИЕ	ШТ	УПАКОВКА
1	MR2072701035A		F60-01.07.07.01	Bus Bundle Base	1	1
2	MR01082301		F25E-01.02.00.12	bracket,relay	1	1
3	MR01060805		GB5787 M6*12(8.8)	rubber sleeveA	1	1
4	MR2032701104		F60-01.07.14.23	relay Assy.	1	1
5	MR01060805		DQDF15-00.03.03	rubber sleeveA	5	1
6	MR0104058BAG		GB5789 M6X30 8.8	Bolt	2	5
7	MR2062701007ABAG		F60-01.05.02.11	Cushion	2	2
8	MR2022701021ABAG		F60-01.05.02.12	bushing	2	2
9	MR01030508		F9.9E-01.06.00.25	connecting wire	1	1
10	MR2082701052A		F60-01.07.14.02	Bus bundle bracket 2	1	1
11	MR0104404BAG		GB9074_1.M6X16.8_8	Bolt	5	10
12	MR2082701053A		F60-01.07.14.01	Bus bundle bracket 1	1	1
13	MR2052701076A		F60-01.01.00.26	Oil pressure alarm	1	1
14	MR01031807B			Temperature control sensor assembly (Yu Xin)	1	1
15	MR010818005BAG		F25-01.04.00.01	Washer 14	1	2
16	MR2082701034A		F60-01.07.00.31	Start cover fixing bracket	1	1
17	MR2082701058A		F60-01.07.00.42	Fuse holder	1	1
18	MR2022701045ABAG		F60-01.07.00.10	ECM metal foot pad	4	2
19	MR2062701043ABAG		F60-01.07.00.09	ECM foot pad	8	2
20	MR2032701008A		F60-01.07.00.08	ECM	1	1
21	MR0104129		GB5783 M5X35 8.8	Bolt	4	1
22	MR01031827		GB96 M5	Five-pin control relay	4	1
23	MR2072701052A		F60-01.07.09.00	ECM cover assembly	1	1
24	MR01044101BAG		GB9074_1.M6X50.8_8	Hexagon headed bolt and flat plate M6*50	4	10
25	MR0104406BAG		GB9074_1.M6X20.8_8	Flat gasket&Bolt	2	10
26	MR2031101029		85FET-01.02.15.00	Lifting motor relay assembly	1	1
27	MR2032701105		F60-01.07.14.24	Waterproof relay	3	1
28	MR0104403		GB9074.1 M6X12 8.8	Five-pin control relay	3	1
29	MR01031616		40FE-01.03.28	electric wire, 40F Electric Trim positive pole	1	1
30	MR2082401013		F15EI-01.06.00.05	Small relay bracket	3	1
31	MR2082701070		F60-01.09.00.14	Waterproof relay bracket	1	1
32	MR2062701105		F60-01.01.00.29	rubber sleeve	3	1



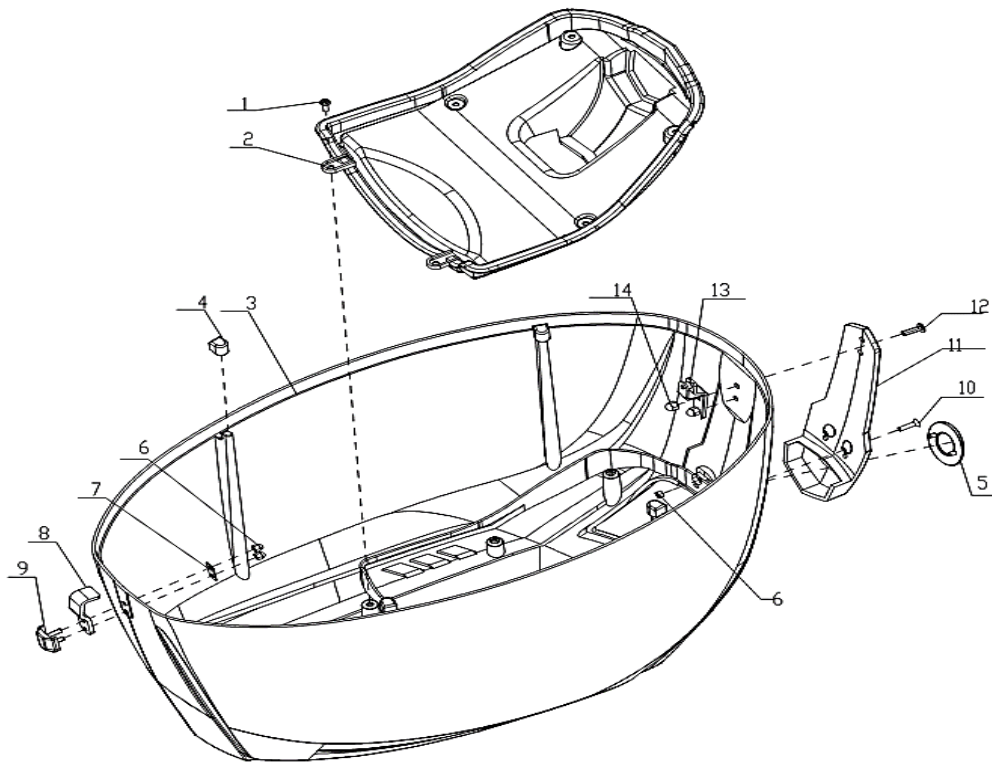
### 16. Коромысло заслонки

NO.	КОД MR	КОД №2	КОД OEM	НАИМЕНОВАНИЕ	ШТ	УПАКОВКА
1	MR0104409BAG		GB9074_1.M6X35.8_8	Hexagonal bolt & flat gasket assy M6*35	2	10
2	MR2022701023ABAG		F60-01.07.08.09	Bush 2	1	2
3	MR2072701033A		F60-01.07.08.01	Throttle rocker arm 1	1	1
4	MR0104186BAG		GB91 1.6*16	Cotter pin	1	10
5	MR2072701044A		F60-01.07.08.15	Throttle rocker arm 2 components	1	1
6	MR2092701007ABAG		F60-01.07.08.10	Torsion spring	1	2
7	MR2022701046ABAG		F60-01.07.08.07	Rocker sleeve	1	5
8	MR01081944BAG		60F-01.05.00.07	Wave Washer	1	5
9	MR2022701022ABAG		F60-01.07.08.08	Bush 1	1	2



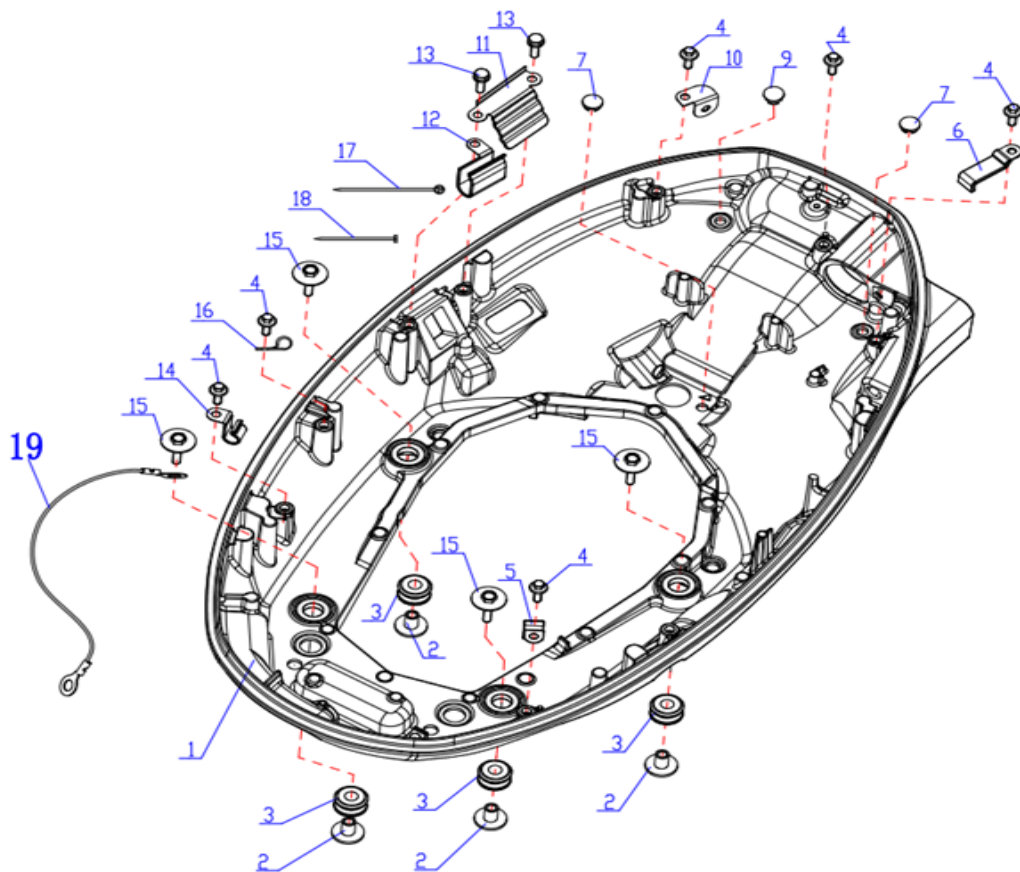
### 17. Кожух маховика

NO.	КОД MR	КОД №2	КОД OEM	НАИМЕНОВАНИЕ	ШТ	УПАКОВКА
1	MR2062701023ABAG		F60-01.02.00.07	Damping ring	4	2
2	MR2072701018A		F60-01.08.00.01	Boot hood	1	1
3	MR2062701027ABAG		F60-01.08.10.01	Shock-absorbing rubber pad	1	2
4	MR2022701032ABAG		F60-01.08.10.02	bushing	1	2
5	MR0104406BAG		GB9074_1.M6X20.8_8	Flat gasket&Bolt	1	10
6	MR01060116BAG		15F-02.09	External pipe rubber bulkhead	1	2
7	MR2062701026A		F60-01.08.00.02	Rubber strip	1	1



## 18. Капот

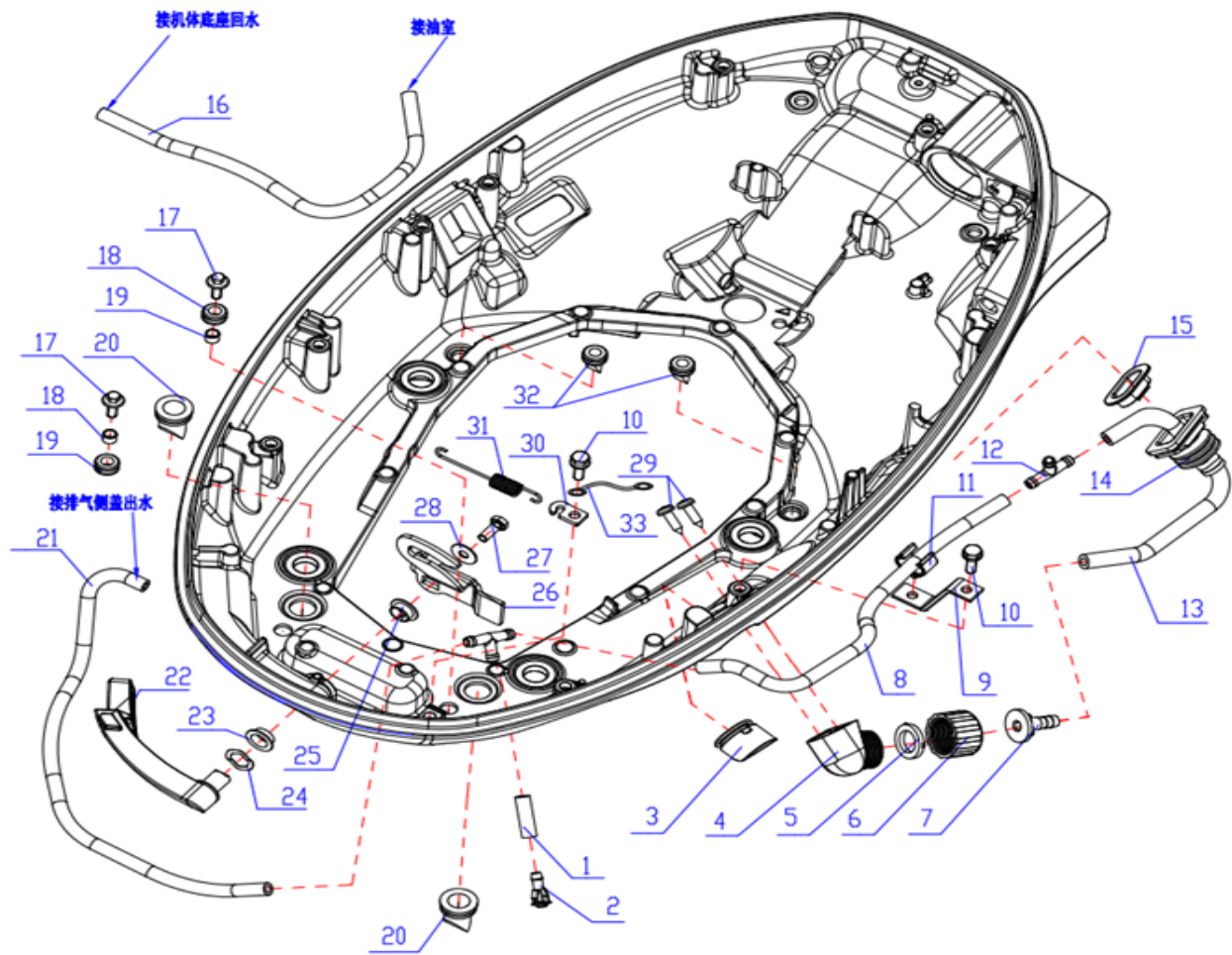
NO.	КОД MR	КОД №2	КОД OEM	НАИМЕНОВАНИЕ	ШТ	УПАКОВКА
1	MR0104093BAG		GBT845-ST4_8X16	bolt	6	10
2	MR2072707002A		F60-07.00.00.02	Air inlet cover assembly	1	1
3	MR2072707001A		F60-07.00.00.01	Top cover	1	1
4	MR2062707002ABAG		F60-07.00.00.04	Shock absorber foot	4	2
5	MR2072707003A		F60-07.00.00.05	Hidea logo	1	1
	MR2072707004A		F60-07.00.00.08	Blank logo	1	1
6	MR0104145BAG		DIN985 M5	Hexagonal nut	4	10
7	MR010818030BAG		F25-07.00.00.05	Plate	1	5
8	MR010818029		F25-07.00.00.04	Hook(front)	1	1
9	MR010718015		F25-07.01.00.00	Bolt comp.	1	1
10	MR0104079BAG		GB818m5*16	Pan head bolt with cross recess	2	10
11	MR2072707005A		F60-07.00.01.09	Logo installation board	1	1
12	MR2022707001A		F60-07.00.00.06	Pan head bolt	1	1
13	MR010818031		F25-07.02.00.00	Rear lock hook comp.	1	1
14	MR0104146BAG		DIN985 M6	hexagon nylon lock nut	2	10



### 19. Поддон двигателя

NO.	КОД MR	КОД №2	КОД OEM	НАИМЕНОВАНИЕ	ШТ	УПАКОВКА
1	MR2012702001A		F60-02.00.01.01	Base	1	1
2	MR01021912		60F-02.00.00.04	Cushion pipe(Bottom cowling)	4	1
3	MR01061923BAG		60F-02.00.00.05	Damper(Bottem Cowling)	4	2
4	MR0104055BAG		GB5789.M6X16.10_9	Hex Flange Bolt M6*16	5	2
5	MR2082702011ABAG		F60-02.00.01.11	Water pipe bracket 1	1	2
6	MR2082702010A		F60-02.00.01.10	Harness bracket 4	1	1
7	MR2062702010ABAG		F60-02.00.01.19	Clogged	2	2
9	MR2062701077ABAG		F60-02.00.02.06	Clog 1	1	2
10	MR2082702006A		F60-02.00.01.08	Snap bracket 1	1	1
11	MR2082702005A		F60-02.00.01.05	Harness bracket 3	1	1
12	MR2082702003A		F60-02.00.01.03	Harness bracket 1	1	1
13	MR0104406BAG		GB9074_1.M6X20.8_8	Flat gasket&Bolt	2	10
14	MR2082702004ABAG		F60-02.00.01.04	Harness bracket 2	1	2
15	MR2022702001A		F60-05.00.03.02	Hex head bolt and flat washer assembly	4	1
16	MR402740BAG		CC-4	Plastic wire clip (black)	1	10
17	MR2072701071A		F60-01.07.14.03	Arrow Tie	6	1
18	MR02010116BAG	MR3005053BAG	4*150	Cable tie (black)	8	10
19	MR0110121		DQQ-00.00.03.05	connection wire	1	1



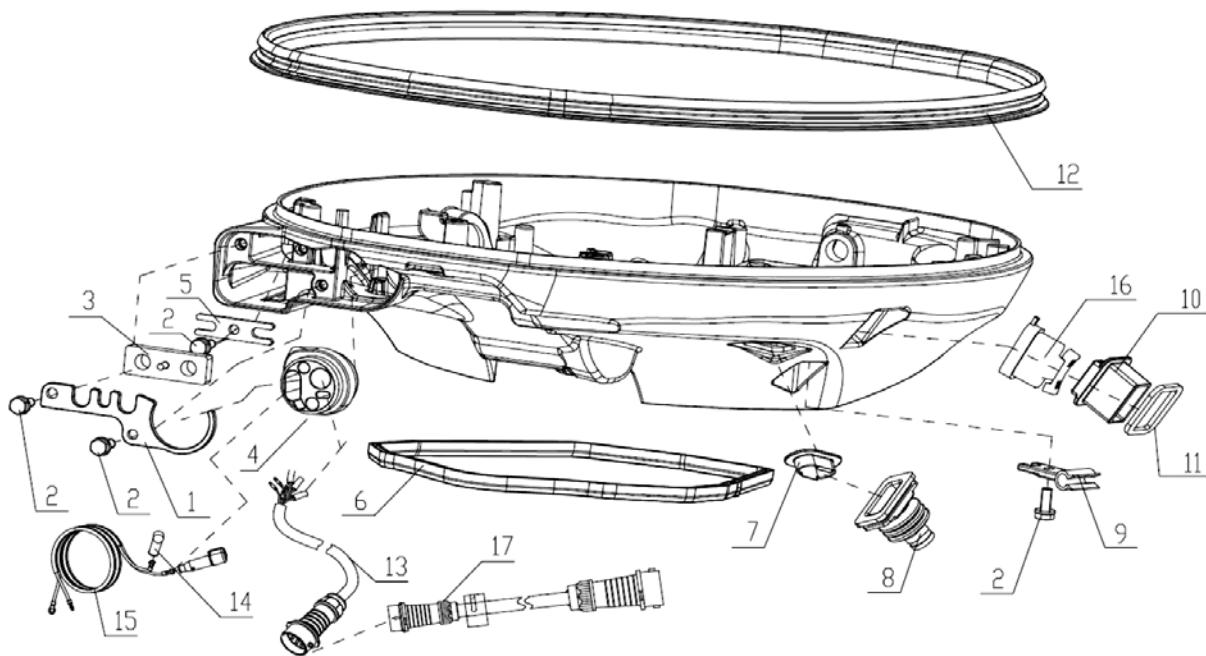


## 20. Поддон двигателя 1

NO.	КОД MR	КОД №2	КОД OEM	НАИМЕНОВАНИЕ	ШТ	УПАКОВКА
1	MR2062702003ABAG		F60-02.00.02.05	Water pipe 3 (30mm)	1	10
2	MR01070137BAG		15F-02.11	Plastic Water nozzle	1	5
3	MR2062702015A		F60-02.00.01.26	Rubber plug	1	1
4	MR01070819BAG		DQDF15-00.05.05	Seat, External water hose	1	2
5	MR01060809BAG		DQDF15-00.05.04	Rubber gasket	1	2
6	MR01070817BAG		DQDF15-00.05.02	Cap, External water hose	1	2
7	MR01070818BAG		DQDF15-00.05.03	Plug, External water hose	1	2
8	MR2062702001ABAG		F60-02.00.02.02	Water pipe 1	1	2
9	MR2072702015ABAG		F60-02.00.01.15	Water pipe bracket 2	1	2
10	MR0104406BAG		GB9074_1.M6X20.8_8	Flat gasket&Bolt	2	10
11	MR2072702016ABAG		F60-02.00.01.16	Snap 3	1	2
12	MR01070226BAG		F15-05.00.00.17	T-branch pipe	2	2
13	MR2062702002ABAG		F60-02.00.02.04	Water pipe 2 (228mm)	1	2
14	MR2062702014A		F60-02.00.01.24	Water pipe rubber sheath	1	1
15	MR2072702017ABAG		F60-02.00.01.22	Plastic fixing sleeve	1	2
16	MR2062705011ABAG		F60-02.00.02.01	Fuel cooling water return pipe	1	2
17	MR0104055BAG		GB5789.M6X16.10_9	Hex Flange Bolt M6*16	2	2
18	MR2062702011ABAG		F60-02.00.01.20	Rubber cushion 2	2	2
19	MR2022702012ABAG		F60-02.00.01.21	Shock Absorber Liner	2	2
20	MR2062702008A		F60-02.00.01.18	Shock Absorber 2	2	1
21	MR2062701001ABAG		F60-01.01.00.09	Return pipe	1	2
22	MR010118009		F25-02.02.00.00	Lock handle comp.	1	1
23	MR01071119BAG		40F-02.02.00.03	Washer	1	2
24	MR01081111BAG		40F-02.02.00.02	Washer	1	2
25	MR01071120BAG		40F-02.02.00.04	Washer	1	2
26	MR010818025		F25-02.02.00.04	Latch segment	1	1

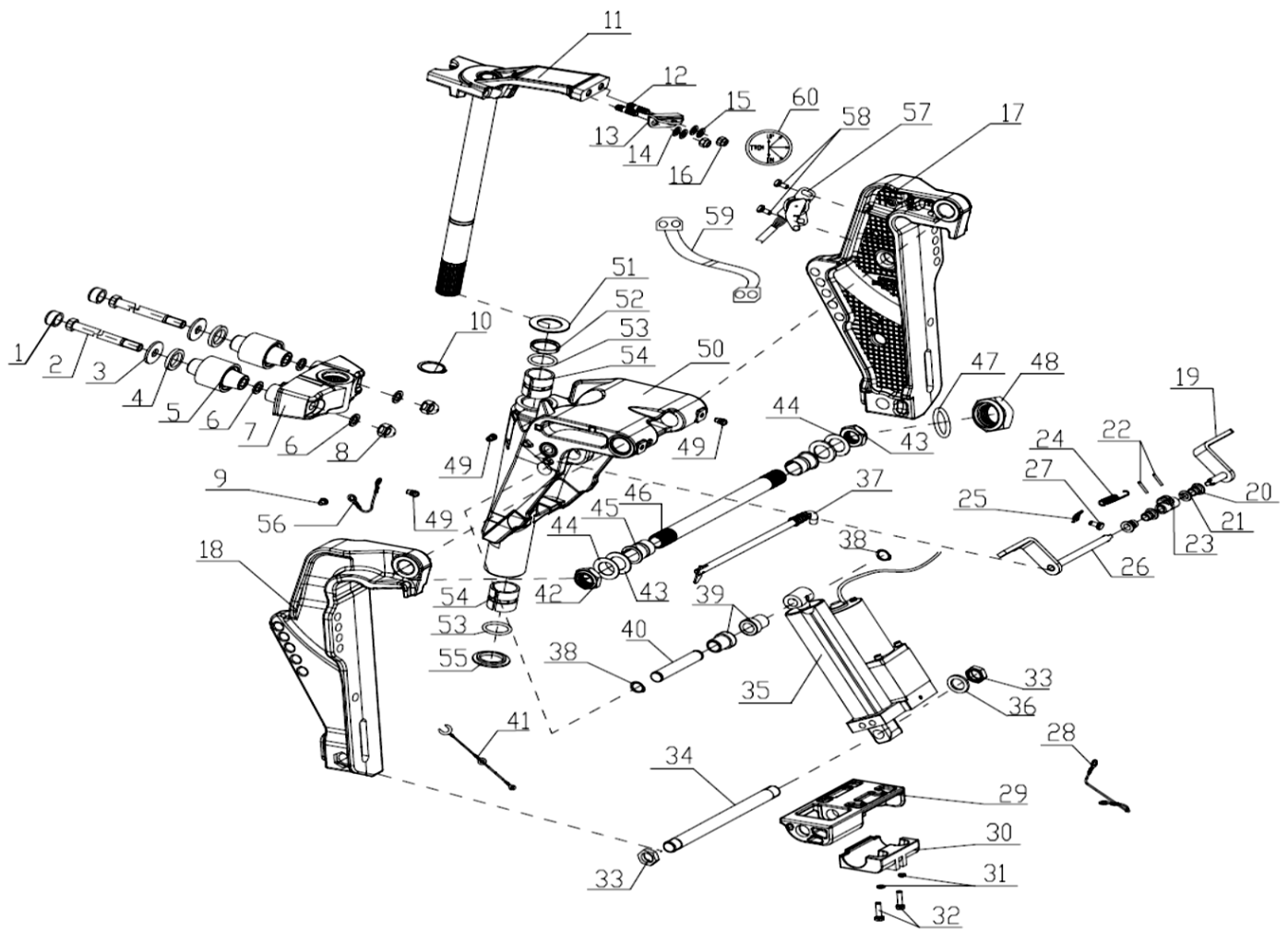
27			GB5783.M6X16.8_8	Bolt	1	10
28	MR0104164BAG		GB96 M6	Flat gasket	1	10
29	MR0104122BAG		GB845.ST5_5X19	Pan head screw ST5.5*19	2	10
30	MR01081113		40F-02.02.00.07	Spring hook	1	1
31	MR01091110BAG		40F-02.02.00.06	Tension spring,latch segment	1	5
32	MR2062702007A		F60-02.00.01.17	Shock Absorber Pad 1	1	1
33	MR0110121		DQQ-00.00.03.05	connection wire	1	1





## 21. Поддон двигателя 2

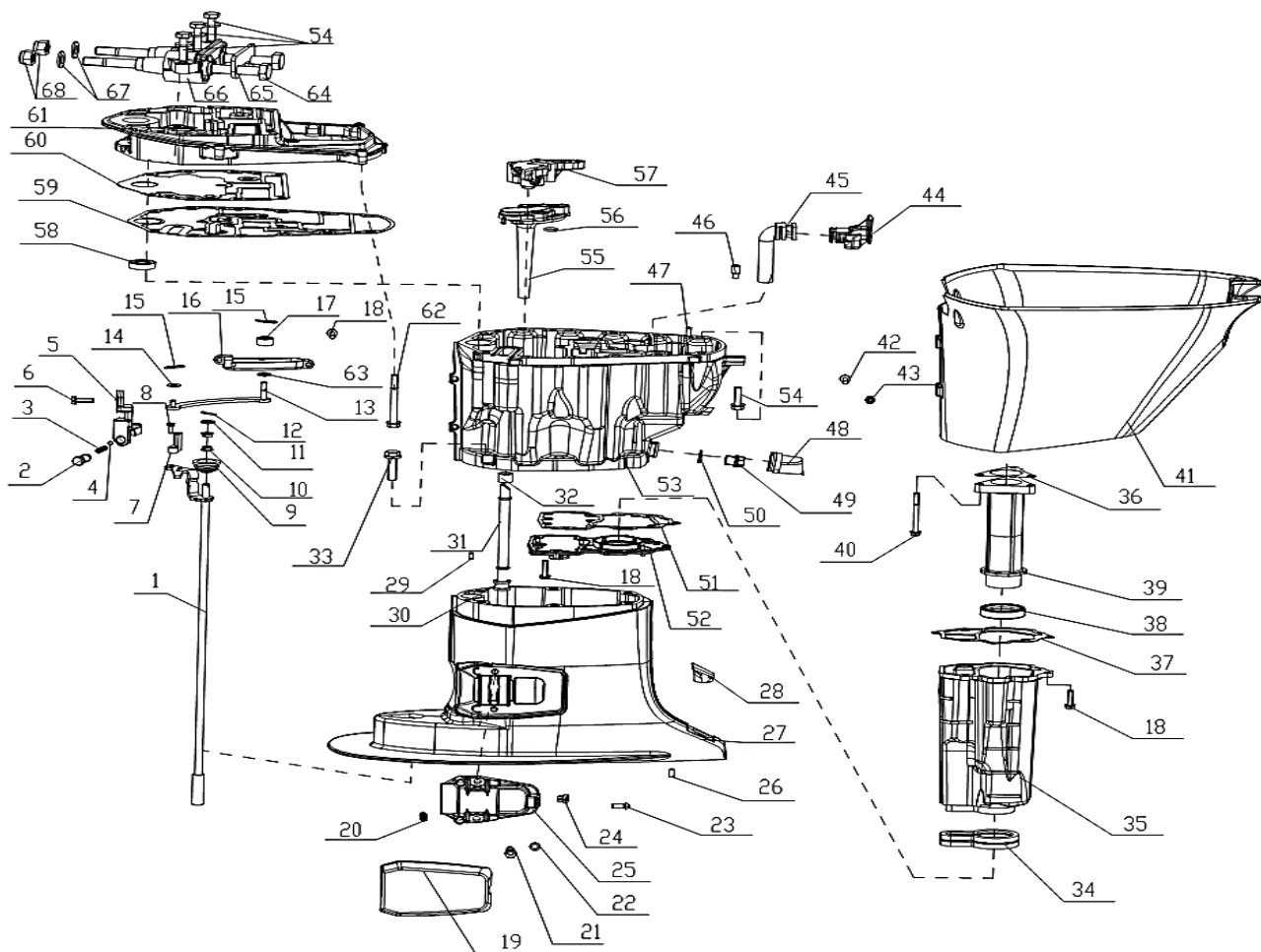
NO.	КОД MR	КОД №2	КОД OEM	НАИМЕНОВАНИЕ	ШТ	УПАКОВКА
1	MR2082602012A		F60-02.00.01.30	Fixed plate	1	1
2	MR0104404BAG		GB9074_1.M6X16.8_8	Bolt	4	10
3	MR2062705012A		F60-02.00.01.28	Cable fixing sheath	1	1
4	MR2062705013A		F60-02.00.01.29	Base harness plug	1	1
5	MR2082705004A		F60-02.00.01.27	Cable fixing plate	1	1
6	MR2062702005A		F60-02.00.01.02	Base rubber seal	1	1
7	MR2072702017ABAG		F60-02.00.01.22	Plastic fixing sleeve	1	2
8	MR2062702014A		F60-02.00.01.24	Water pipe rubber sheath	1	1
9	MR2072702018ABAG		F60-02.00.01.25	Plastic bracket 2	1	2
10	MR2072702008ABAG		F60-02.00.01.06	Oblong head	1	2
11	MR2062702006ABAG		F60-02.00.01.07	Rectangular bulkhead washer	1	2
12	MR2062702016A		F60-02.00.03.01	Rubber sealing stripe	1	1
13	MR2032701023A			Ten-core plug harness (short) (0.28M)	1	1
	MR2032701099		F60-01.09.00.09	Ten core plug harness (with self-locking plug-in)	1	1
14	MR01060805		DQDF15-00.03.03	rubber sleeveA	1	1
15	MR2032701098		F60-01.09.00.13	EFI power cord (with self-locking plug-in)	1	1
	MR2032701021A			EFI power cord	1	1
16	MR2032702004		F60-02.00.03.03	Warp switch(with self-locking)	1	1
17	MR2032701100		F60-01.09.00.14	Ten-core cable adapter (5m extension cable)	1	1



## 22. Кронштейн струбцины

NO.	КОД MR	КОД №2	КОД OEM	НАИМЕНОВАНИЕ	ШТ	УПАКОВКА
1	MR01061932BAG		60F-05.00.00.07	rubber sleeve	2	2
2	MR01021901		60F-05.00.00.14	Hex head Bolt M12*1.25*153	2	1
3	MR0104167BAG		GB96.M12	Gasket	2	5
4	MR01061933BAG		60F-05.00.00.13	Rubber Cushion Ф25	2	5
5	MR01021937		60F-05.00.03.00	Lower Damper Assy	2	1
6	MR0104161BAG		GB848.M12	Flat gasket 12	4	10
7	MR01011928		60F-03.00.00.02	Lower damper base	1	1
8	MR0104333		DIN985.M12X1_25	Hex nylon locking nut M12*1.25	2	1
9	MR0104321BAG		GB823.M6X8	Screw M6*8	1	10
10	MR0104324BAG		GB894_1.30	Circlip D30	1	10
11	MR2012704001A		F60-04.00.01.01	Steering bracket	1	1
12	MR01021124		40F-04.01.04	Double-screw bolt	2	1
13	MR01081967		60FE-03.00.00.24	lever hook	1	1
14	MR01041710901BAG			Flat gasket	2	10
15	MR01041541BAG			Spring washer	2	10
16	MR0104230BAG			hexagonal lock nut M10*1.25	2	2
	MR2022703010A		F60-04.00.01.10	Hexagonal nylon lock nut	2	1
17	MR2012703004A		F60-03.00.01.06	Right bracket	1	1
18	MR2012703003A		F60-03.00.01.05	Left bracket	1	1
19	MR01081904		60F-03.00.06.00	Tilt positioning lever - Right	1	1
20	MR01071931BAG		60F-03.00.00.20	Arm bush	3	2
21	MR01071932BAG		60F-03.00.00.21	Arm open bush	1	2
22	MR0104371BAG		GB879.3X16	Elastic cylindrical pin 3*16	2	10
23	MR01071933		60F-03.00.04.00	Tilt positioning lever arm assy.	1	1
24	MR01091911BAG		60F-03.00.00.19	Tilt positioning lever spring	1	2
25	MR01081920BAG		60F-03.00.00.18	Hook,spring	1	5
26	MR01081903		60F-03.00.05.00	Tilt positioning lever - Left	1	1
27	MR0104007BAG		GB5783.M6X10	Hex Bolt M6*10	1	10
28	MR01101904		60F-03.00.03.00	Ground Wire assy.	1	1
29	MR07190012	MR091101011930	60F-03.00.00.12	Bracket blocker	1	1
30	MR01011903		60F-03.00.00.11	Anode	1	1
31	MR0104171BAG		GB97.1 M6	Flat gasket	2	10

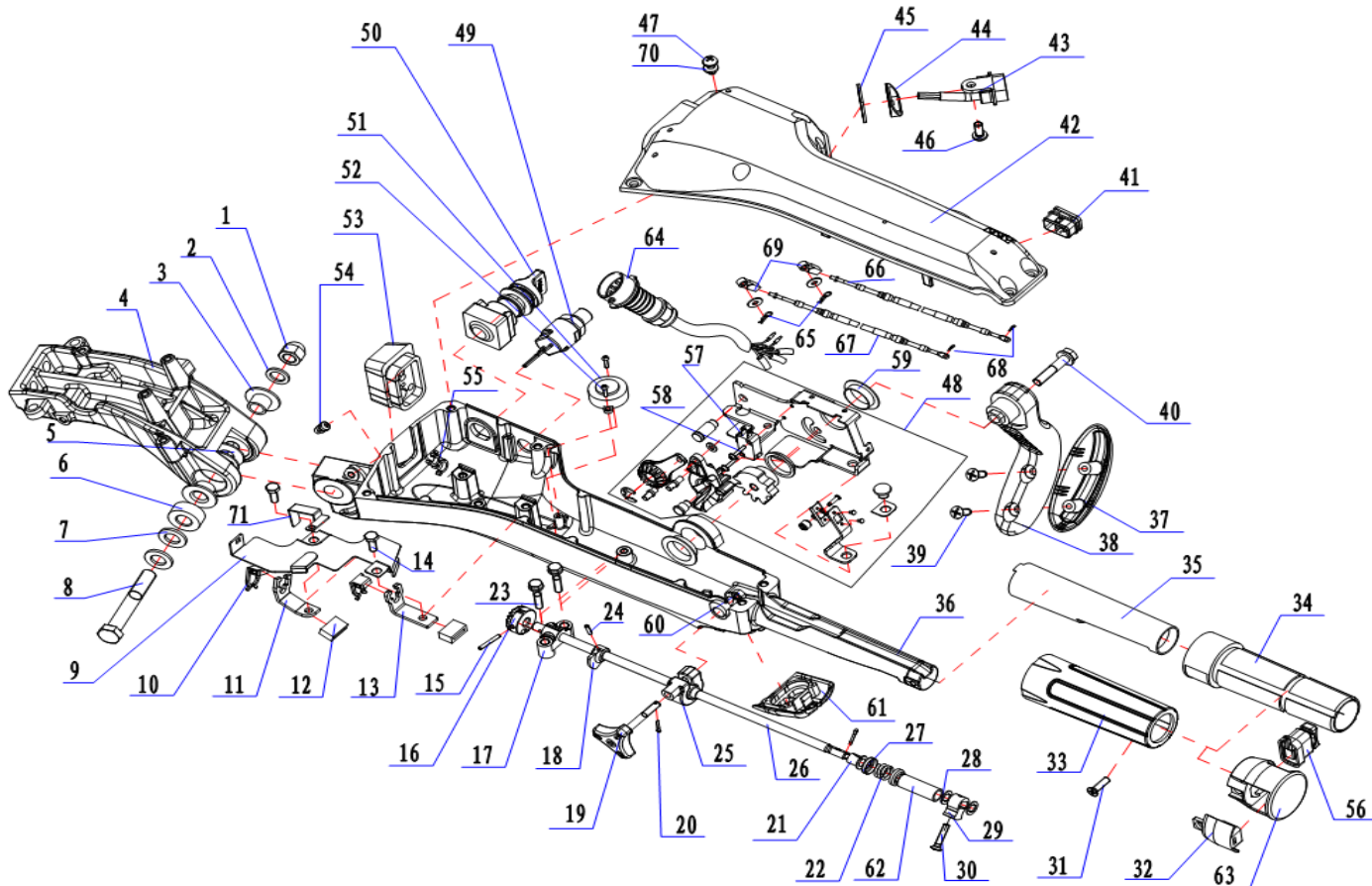
32	MR0104013BAG		GB5783.M6X25	Hex Head Bolt M6*25	3	10
33	MR01021928		60F-03.00.00.09	Hex Nut M18*1.5	2	1
34	MR01021932		60F-03.00.00.13	Hydraulic Power Trim Support shaft (down)	1	1
35	MR01051951		60FET-03.00.08.00	Power Trim Assy.	1	1
36	MR01081930		60F-03.00.00.10	Flat Gasket $\Phi 19 \times \Phi 29.5 \times 3$	1	1
37	MR01091943			Angle positioning pin assy.	1	1
38	MR0104335BAG		GB894_1.15	Circlip A type $\Phi 15$	2	10
39	MR01071948BAG		60F-03.00.00.30	Lifting bushing	2	2
40	MR01021930		60F-03.00.00.16	Hydraulic Trim Support shaft (up)	1	1
41	MR01101903		60F-05.00.02.00	Connecting wire assy	1	1
42	MR01020115		15F-03.01	Clamp nut	2	1
43	MR01070139BAG		15F-03.02	Nylon gasket	2	2
44	MR01081114BAG		40F-03.03	Washer	2	2
45	MR01071121		40F-03.07.02	Damping ring,bracket	2	1
46	MR01021114		40F-03.04	Bolt	1	1
47	MR01060825BAG		HDYK00.00.35.03	O-ring (16.3 * 2.3)	2	5
48	MR01070823BAG		HDYK00.00.35.02	Directional steel cable protective cover	2	5
	MR01071949BAG		60F-03.00.00.08	Stud cover	2	2
49	MR01100109BAG		JB.T7940.1	Oil cup	3	2
50	MR2012703002A		F60-03.00.01.01	Rotating bracket	1	1
51	MR01081919BAG		60F-03.00.00.07	Upper Bushing Washer	1	2
52	MR01071927BAG		60F-03.00.00.06	Upper bushing	1	2
53	MR01061926		60F-03.00.00.04	O ring(29*3.8)	2	1
54	MR01071926BAG		60F-03.00.00.05	Bushing	2	5
55	MR01071925BAG		60F-03.00.00.03	Lower Bushing	1	2
56	MR01101905		60F-03.00.07.00	Ground Wire assy.	1	1
57	MR2032703096		F60-03.00.02.00	Lifting height sensor	1	1
58	MR01040830BAG			Cross recessed pan head screws	2	10
59	MR2032701095		F60-01.09.00.10	Altimeter patch cord	1	1
60	MR2032701096		F60-01.09.00.11	Warping altimeter	1	1



### 23. Дейдвуд

NO.	КОД MR	КОД №2	КОД OEM	НАИМЕНОВАНИЕ	ШТ	УПАКОВКА
1	MR2092705097A		F60-04.00.02.02	Upper shift lever assembly	1	1
2	MR2022705001A		F60-04.00.02.06	Shift mechanism locking bolt	1	1
3	MR01091904		60F-01.06.00.13	SPRING	1	1
4	MR2022705003A		F60-04.00.02.15	Shift cam core rod	1	1
5	MR2012705005A		F60-04.00.02.05	Gear shift mechanism bracket	1	1
6	MR0104406BAG		GB9074_1.M6X20.8_8	Flat gasket&Bolt	3	10
7	MR2072705005ABAG		F60-04.00.02.12	Plastic bracket 1	1	2
8	MR0104003BAG		GB5783.M5X12	Bolt	1	10
9	MR2062705005A		F60-04.00.02.03	Shift link rubber jacket	1	1
10	MR2072705002ABAG		F60-04.00.02.08	bushing	2	2
11	MR2082705003A		F60-04.00.02.14	Flat pad	1	1
12	MR0104188BAG		GB91.2X16	Cotter pin	1	10
13	MR2022705096A		F60-04.00.02.09	Shift lever combination	1	1
14	MR2072705004ABAG		F60-04.00.02.10	Flat pad	1	10
15	MR01090126BAG		15F-04.08.05	circlip(L)	2	2
16	MR2012705006A		F60-04.00.02.11	Gearshift slot	1	1
17	MR2072705003A		F60-04.00.02.13	Gearshift	1	1
18	MR0104407BAG		GB9074_1.M6X25.8_8	Hexagonal bolt & flat gasket assy M6*25	16	10
19	MR01011954		60F-05.00.00.09	Lower damper Cap	2	1
20	MR01091912BAG		60F-05.00.00.12	lower damper cap spring	4	2
21	MR0104037BAG		GB5783.M8X30	Bolt	4	2
22	MR01041540BAG		GB93.M8	washer	4	10
23	MR01040890		5X16	Cross recessed pan head tapping screws	2	1
24	MR01071938BAG		60F-05.00.00.10	Plastic nut	2	2
25	MR091101011939		60F-05.00.00.11	Lower damper shell	2	1
26	MR01020110BAG		15F-01.06.20	Locating Pin 2*6	2	10
27	MR2012705003A		F60-05.00.01.02	Shell on water	1	1
28	MR01061902BAG		60F-00.00.00.03	Anode plug	1	2
29	MR01020521BAG		F9.9-05.00.00.26	Locating Pin 4*10	2	10
30	MR01061133BAG		40F-05.00.00.16	Seal ring(lower),hose	1	2
31	MR2102606001A		F40-05.00.03.19	Water pipe	1	1

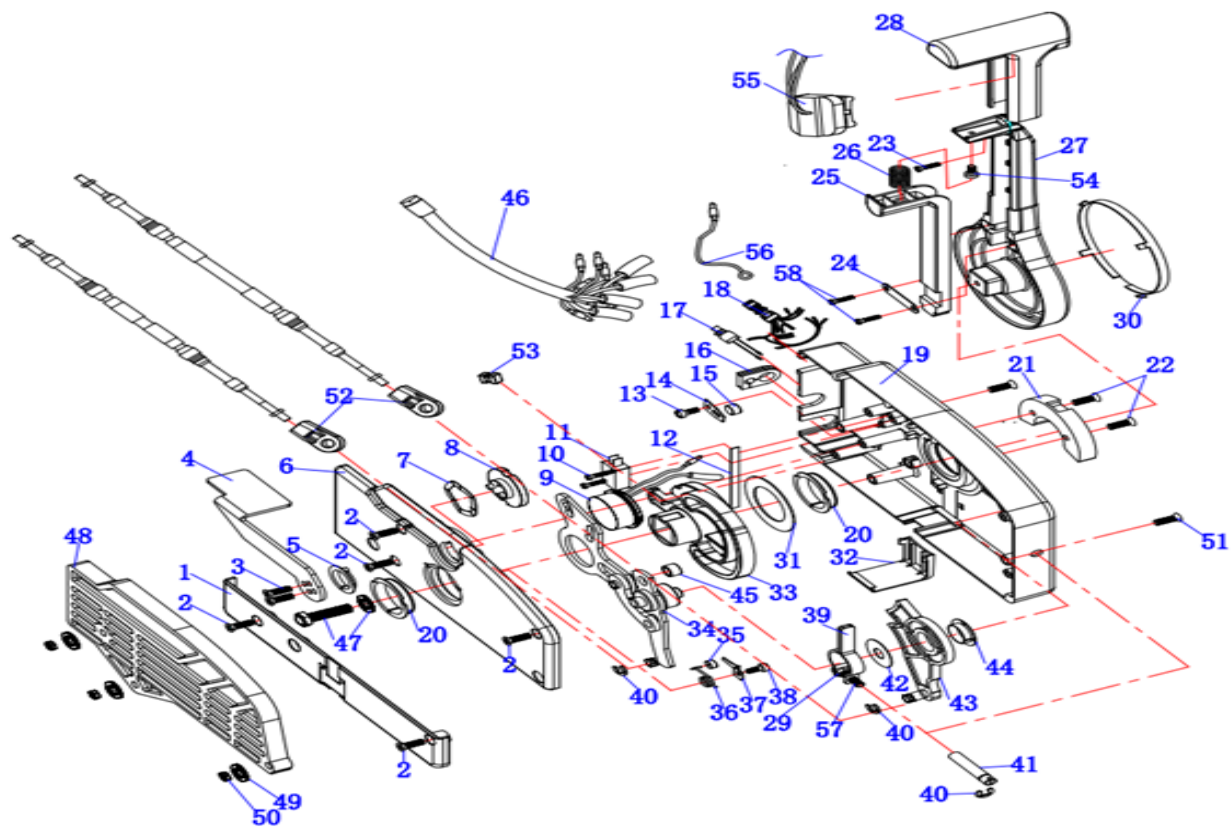
32	MR2062705010A		F60-05.00.03.20	Water pipe sealing ring	1	1
33	MR010405102		GB5787.M10X40.8_8.S.13	0	6	1
34	MR2062705002A		F60-05.00.02.06	Silencer gasket	1	1
35	MR2012705002A		F60-05.00.02.04	silencer	1	1
36	MR2052705001A		F60-05.00.02.02	Exhaust pipe pad	1	1
37	MR2052705006A		F60-05.00.02.05	Silencer pad	1	1
38	MR2062705001A		F60-05.00.02.03	Exhaust pipe gasket	1	1
39	MR2012705001A		F60-05.00.02.01	exhaust pipe	1	1
40	MR01044111BAG		GB9074_1.M6X65.8_8	Hex Bolt M6*65	3	10
41	MR2072705001A		F60-05.00.01.01	Decorative cover	1	1
42	MR0104128BAG		GB818.M6X25	Screw M6*25	2	10
43	MR0104138BAG		GB6170.M6	Hex Nut M6	2	10
44	MR2062705009A		F60-05.00.03.18	Ventilation connection pipe 2	1	1
45	MR2062705008A		F60-05.00.03.17	Ventilation connection pipe 1	1	1
46	MR01020109		15F-01.06.10	water Tube fitting B	1	1
47	MR2020705001ABAG		30F-05.02.00.14	Positioning pin 6 * 14	2	5
48	MR2062705007A		F60-05.00.03.15	Diversion rubber tube	1	1
49	MR2022705006A		F60-05.00.03.16	Oil drain bolt	1	1
50	MR01080224BAG		F15-05.00.00.09	Washer	1	10
51	MR2052705004A		F60-05.00.03.06	Cover plate gasket	1	1
52	MR2012705008A		F60-05.00.03.07	Cover	1	1
53	MR2012705010A		F60-05.00.03.13	Oil pan	1	1
54	MR01044130BAG		GB9074_1.M8X30.8_8	Flat gasket&bolts	7	5
55	MR2072705094A		F60-05.00.03.08	Oil filter assembly	1	1
56	MR2062701029ABAG		F60-05.00.03.10	Seal ring of oil filter assembly	1	5
57	MR2012705009A		F60-05.00.03.09	Oil filter bracket	1	1
58	MR01051937		60F-01.04.04.03	Oil seal, drave shaft	1	1
59	MR2052705005A		F60-05.00.03.14	Oil pan gasket	1	1
60	MR2052705003A		F60-05.00.03.05	Body base gasket	1	1
61	MR2012705007A		F60-05.00.03.01	Body base	1	1
62	MR0104432		GB9074_1.M8X80.10_9	Bolt&gasket Assy M8*80	8	1
63	MR010417109BAG		GB97_1.M8	Flat gasket	1	10
64	MR2022703001A		F60-04.00.01.04	Upper shock bolt	2	1
65	MR2082703001A		F60-04.00.01.03	panel	1	1
66	MR2012703098A		F60-04.00.01.02	Upper damping component	1	1
67	MR01041710901BAG		GB97_1.M10	Flat gasket	2	10
68	MR2022703010A		F60-04.00.01.10	Hexagonal nylon lock nut	2	1



## 24. Румпель

NO.	КОД MR	КОД №2	КОД OEM	НАИМЕНОВАНИЕ	ШТ	УПАКОВКА
1	MR0104333		DIN985 M12*1.25	Hex nylon locking nut M12*1.25	1	1
2	MR0104161BAG		GB848 M12	Flat gasket 12	1	10
3	MR2072704003ABAG		F60-04.00.03.07	Plastic bushing	2	2
4	MR2012704002A		F60-04.00.03.06	Connection bracket	1	1
5	MR2082704002A		F60-04.00.03.10	Thin gasket	2	1
6	MR2022704001A		F60-04.00.03.08	Thick pad	1	1
7	MR0104173BAG		GB97_1.M12	Flat gasket 12	2	10
8	MR0104325BAG		GB5785 M12X1.25X80	Hexagon head bolts-fine teeth	1	10
9	MR2082704004A		F60-04.00.03.13	Harness cover bracket	1	1
10	MR01071503BAG		F9.9E-02.00.00.02	cablе fixed pin	2	5
11	MR2082704006A		F60-04.00.03.16	Shift cable support	1	1
12	MR2062704002A		F60-04.00.03.15	Rubber sleeve	2	1
13	MR2082704005A		F60-04.00.03.14	Throttle cable support	1	1
14	MR0104404BAG		GB9074_1 M6X16.8_8	Bolt	2	10
15	MR0104196BAG		GB879 3*20	Cylindrical pin	1	10
16	MR2052704003ABAG		F60-04.00.03.21	Throttle cable driving gear	1	2
17	MR2072704006A		F60-04.00.03.22	Gear limit bracket	1	1
18	MR2012704003A		F60-04.00.03.23	Shift limit block	1	1
19	MR2072704018A		F60-04.00.03.26	Throttle tension rod elastic bolt	1	1
20	MR010418709BAG		GB91 2*12	Cottor pin 2*12	2	10
21	MR01070153BAG		15F-04.07.12	Bushing	1	2
22	MR2092704001ABAG		F60-04.00.03.29	spring	1	2
23	MR0104408BAG		GB9074.1 M6*30(8.8)	Bolt	2	10
24	MR0104195BAG		GB879 3*14	Cylindrical pin	1	5
25	MR2072704007ABAG		F60-04.00.03.25	Throttle tension rod elastic block	1	2
26	MR2102704004A		F60-04.00.03.24	Throttle pull rod	1	1
27	MR2082704020ABAG		F60-04.00.03.28	Spring retaining ring	2	2
28	MR2082704007ABAG		F60-04.00.03.46	Retaining ring	2	2
29	MR2012704009A		F60-04.00.03.30	Throttle turning block	1	1
30	MR0104117BAG		GB820 M5X25	Screw M5*25	1	10
31	MR0104247BAG		GB819 M6X20	Cross recessed countersunk head screw M6*20	1	10
32	MR2072704016ABAG		F60-04.00.03.78	Plastic pressure plate	1	2
33	MR2062704011A		F60-04.00.03.33	Rubber handle	1	1

34	MR2072704010A		F60-04.00.03.32	Handle outer bushing	1	1
35	MR2072704009A		F60-04.00.03.31	Handle bush	1	1
36	MR2012704008A		F60-04.00.03.01	Steering handle	1	1
37	MR2072704012A		F60-04.00.03.42	Shift handle plastic cover	1	1
38	MR2012704004A		F60-04.00.03.41	Shift lever	1	1
39	MR01040120BAG		GB847-6_3*19	screws type F	2	10
40	MR0104426		GB9074_14.M8X40	Combination of hexagon head bolt and flat washer	1	1
41	MR2072704002ABAG		F60-04.00.03.05	Plastic cover plug	1	5
42	MR2072704001A		F60-04.00.03.04	Plastic cover	1	1
43	MR2032701079A		F60-04.00.03.72	Alarm indicator	1	1
44	MR2062704004A		F60-04.00.03.52	Oblique cushion	1	1
45	MR2062704003A		F60-04.00.03.51	Cushion	1	1
46	MR0104245BAG		GB845 ST6.3X16	Cross recessed pan head tapping screws type F	1	10
47	MR01040831BAG		GB818 M6*16	Pan head bolt with cross recess	6	10
48	MR2022704097A		F60-04.00.03.60	Shift transmission group	1	1
49	MR01030802		HDYK00.03.00	Engine shut-off switch	1	1
50	MR2032701080A		F60-04.00.03.93	Start switch assembly	1	1
51	MR2032704006A		F60-04.00.03.76	buzzer	1	1
52	MR01040700BAG		GB818.M3X8	Cross recessed pan head screws	2	10
53	MR2062704001A		F60-04.00.03.03	Rubber block	1	1
54	MR01100109BAG		JB.T7940.1	Oil cup	1	2
55	MR2072704005ABAG		F60-04.00.03.18	Two snaps of cable rod	1	2
56	MR01031147		DQQ-00.09.07	Electric Trim Remote Switch	1	1
57	MR2032704008A		F60-04.00.03.59	Idle start switch assembly	1	1
58	MR0104071BAG		GB9074_1 M3X14	Pan Screw M3*14	2	10
59	MR2072704013ABAG		F60-04.00.03.44	bushing	2	2
60	MR0104138BAG		GB6170.M6	Hex Nut M6	1	10
61	MR2072704017A		F60-04.00.03.56	Speed adjustment switch housing	1	1
62	MR2022704002A		F60-04.00.03.45	Bushing	1	1
63	MR2072704020A		F60-04.00.03.79	Switch box for remote control box	1	1
64	MR2032701024A		F60-04.00.03.77	Ten core socket harness (1m)	1	1
65	MR01090107BAG		15F-01.03.11	Spring	2	10
66	MR2102704001A		F60-04.00.03.57	Throttle cable assembly	1	1
67	MR2102704002A		F60-04.00.03.58	Shift cable assembly	1	1
68	MR010418709BAG		GB91 2*12	Cottor pin 2*12	2	10
69	MR01070811BAG		HDYK00.00.24	Cable adjuster A	2	5
70	MR0104171BAG		GB97.1 M6	Flat gasket	6	10
71	MR2082704008A		F60-04.00.03.47	fixed seat, switch	1	1

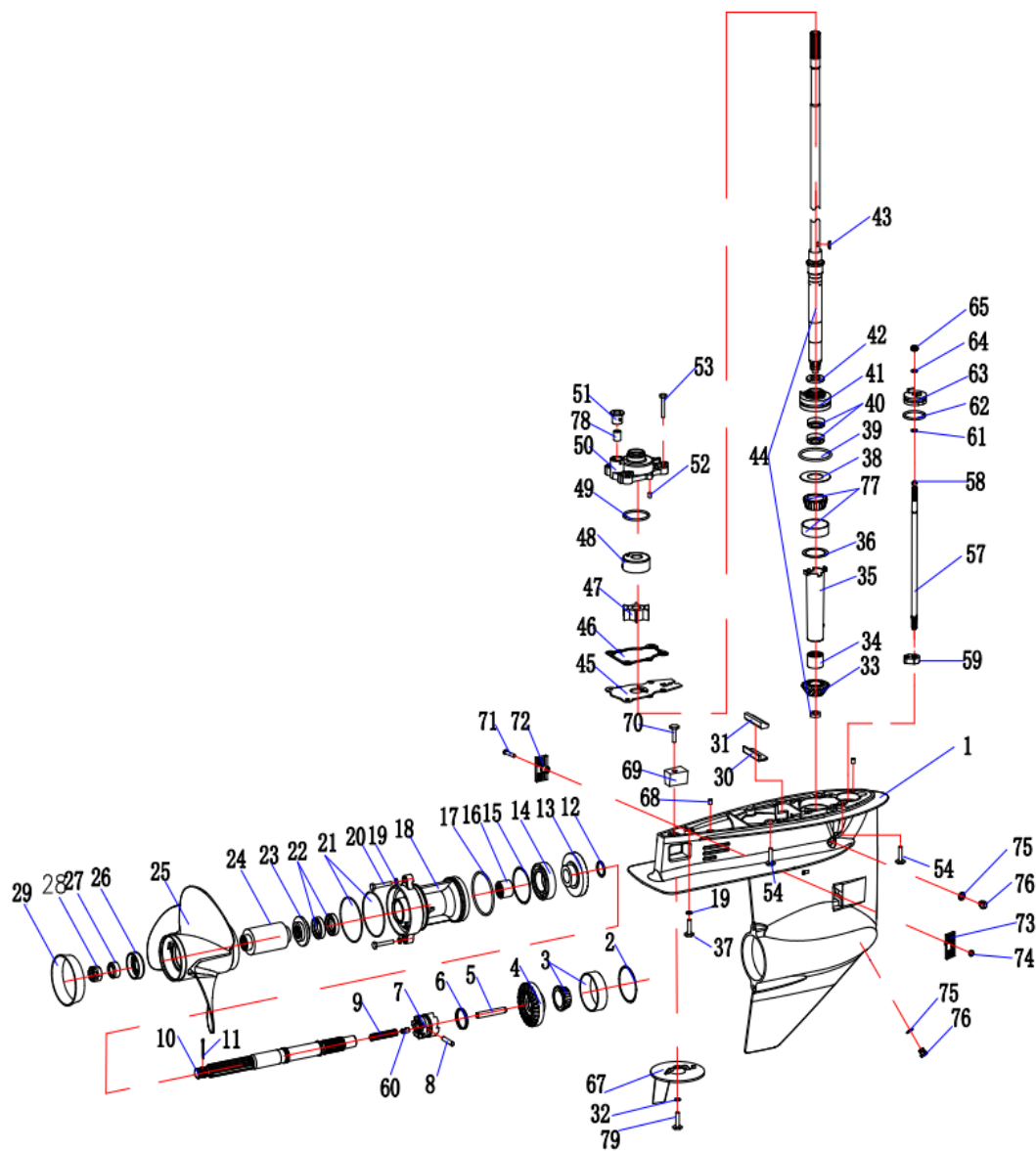


## 25. Контроллер дистанционного управления

NO.	КОД MR	КОД №2	КОД OEM	НАИМЕНОВАНИЕ	ШТ	УПАКОВКА
1	MR07080001	MR090901010801	HDYK00.00.01	Small plate	1	1
2	MR0104111BAG		GB819 M5*16	Bolt	5	10
3	MR0104110BAG		GB819 M5*12	Screw M5*12	2	10
4	MR01080801		HDYK00.00.02	Lale lock handle	1	1
5	MR01070801BAG	MR090901010807	HDYK00.00.04	Antifriction Bushing	1	2
6	MR07080003		HDYK00.00.31	cap	1	1
7	MR01080802BAG		HDYK00.00.03	Wave Washer	1	2
8	MR01010802		HDYK00.01.00	Handle Lock wheel Assy	1	1
9	MR01030801		HDYK00.02.01	Buzzer assy	1	1
10	MR0104071BAG		GB818 M3*14	Pan Screw M3*14	1	10
11	MR01030804		HDYK00.05.00	Idle Start switch	1	1
12	MR01090802BAG		HDYK00.00.10	Spring steel plate	5	10
13	MR0104072BAG			Cross recessed Pan head screws M4*6	1	10
14	MR01080804BAG		HDYK00.00.09	Plate	1	2
15	MR01020802BAG		HDYK00.00.11	Shift limit pin	1	5
16	MR01060801BAG		HDYK00.00.12	Wire Harness Seal Ring	1	10
17	MR01030802		HDYK00.03.00	Engine shut-off switch	1	1
18	MR01030803		HDYK00.04.00	Start switch Assy	1	1
19	MR01010803		HDYK00.00.08	Remote control box	1	1
20	MR01070804BAG		HDYK00.00.16	Gear Shift Seat washer	2	5
21	MR01070806BAG		HDYK00.00.20	Handle Limit Assy	1	2
22	MR0104111BAG		GB819 M5*16	Pan head bolt with cross recess	2	10
23	MR0104226BAG		GB818 M4*10	Pan head bolt with cross recess	1	10
24	MR01080809BAG		HDYK00.09.05	handle Lock plate	1	2
25	MR01070809		HDYK00.09.04	Handle lock switch	1	1
26	MR01090803BAG		HDYK00.09.06	Spring	1	2
27	MR2012408001		HDYK00.09.11	Handle seat	1	1
28	MR2072408001		HDYK00.09.13	handle	1	1
29	MR0104137BAG		GB6170 M5	Hexagon nut M5	1	10
30	MR2072408003		HDYK00.09.12	Handle seat decorative ring	1	1
31	MR01070803BAG		HDYK00.00.15	Gear Shift Seat washer	1	5
32	MR2072408002			connector,box cap	1	1
33	MR01010804		HDYK00.00.14	Shift seat	1	1
34	MR01080816			Throttle controler Assy	1	1
35	MR01020821BAG		HDYK00.00.06	Guide wheel	1	2
36	MR01090801BAG		HDYK00.00.07	Spring	1	5
37	MR01080803BAG		HDYK00.00.05	Guide wheel plate	1	2
38	MR0104072BAG			Cross recessed Pan head screws M4*6	1	10
39	MR01020810		HDYK00.08.01	Locking Clamp	1	1



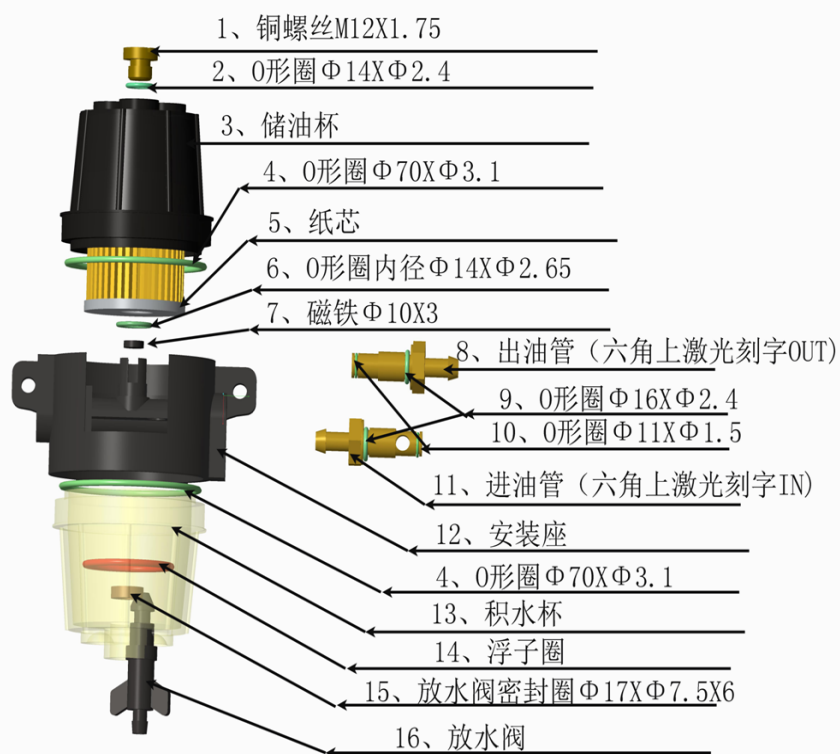
40	MR0104179BAG		GB896 6	Circlip	1	10
41	MR01020811BAG		HDYK00.08.02	Adjusting screw	1	5
42	MR01070805BAG		HDYK00.00.19	Shift control washer	1	5
43	MR01010805		HDYK00.00.17	Shift controler	1	1
44	MR01080808BAG		HDYK00.00.13	Shift control washer	1	2
45	MR01020808BAG		HDYK00.07.10	Guide wheel	1	2
46	MR01031610		DQQ-00.00.07.00-L	Ten-pin plug 5M	1	1
47	MR01044130BAG		GB9074.1 M8*30(8.8)	Flat gasket&bolts	1	5
48	MR01070814		HDYK00.00.32	Remote control fixation plate	1	1
49	MR0104175BAG		GB5287 M6	Flat gasket 6	3	10
50	MR0104138BAG		GB6170 M6	Hex Nut M6	3	10
51	MR0104119BAG		GB820 M6*90	Screw M6*90	3	5
52	MR01070812BAG		HDYK00.00.25	Cable adjustor B	2	2
53	MR01060803BAG		HDYK00.00.27	Wire harness sealing Seat	1	10
54	MR01040760BAG		GB818 M5*10	Cross recessed pan head tapping screws(M5*10)	1	10
55	MR2032702005		F60-02.00.03.04	Electric lifting remote control box switch	1	1
56	MR01030824BAG		HDYK00.05.01	Electric Start Idle Wire	1	2
57	MR0104005BAG		GB5783 M5*25	Bolt	1	10
58	MR0104110BAG		GB819 M5*12	Screw	2	10



26. Редуктор (1.85)						
NO.	КОД MR	КОД №2	КОД OEM	НАИМЕНОВАНИЕ	ШТ	УПАКОВКА
1	MR2012706003		F60-06.00.00.02	Underwater housing	1	1
2	MR01081128		40F-06.01.05	Forward gear Shim	2	1
3	MR01052701		HR332/32J	Bearing HR332/32J	1	1
4	MR01052702		F60-06.00.00.03	Forward Gear	1	1
5	MR01022701		F60-06.00.00.04	Shift plunger	1	1
6	MR01091116		40F-06.05.04	Circlip	1	1
7	MR01052703		F60-06.00.00.05	clutch	1	1
8	MR01021133BAG		40F-06.05.03	Cluth Pin	1	2
9	MR01092701		F60-06.00.00.06	press spring	1	1
10	MR01052709		F60-06.00.00.07	propeller shaft	1	1
11	MR01041892BAG		GB91□	Cotter pin	1	5
12	MR01021135		40F-06.05.07	washer	1	1
13	MR01052704		F60-06.00.00.08	reverse gear	1	1
14	MR01052705		6007C4	Deep groove ball bearing	1	1
15	MR01081132		40F-06.04.03	reverse gear shim	1	1
16	MR01051103		40F□	Needle Bearing 2220	1	1
17	MR01061140		40F-06.04.06	O-ring(thick)	1	1
18	MR091001011137	MR07110017	40F-06.04.01	Lower casing cap	1	1
19	MR010417109BAG		GB97.1□	washer 8	3	2
20	MR01044134		GB9074.1 M8*25(A2-70)	bolt&washer (SUS304)	3	1
21	MR01061139		40F-06.04.05	O-ring(thin)	2	1
22	MR01051138		40F-06.04.04	oil seal (22*36*7)	2	1
23	MR01021130		40F-06.02.03	spacer "Propeller"	1	1
24	MR01061137		40F-06.03.00	inner spline "propeller"	1	1
25	MR01011135		40F-06.02.01	Propeller (11-1/8*13)	1	1
26	MR01081130		40F-06.02.04	cover	1	1

27	MR01081131		40F-06.02.05	press plate	1	1
28	MR01021131		40F-06.02.07	Slotted Hex Nut	1	1
29	MR01011136		40F-06.02.02	Propeller mouth	1	1
30	MR01061134		40F-06.01.09	seal strip	1	1
31	MR01011134		40F-06.01.10	press plater "seal strip"	1	1
32	MR01041540		GB93 M8	Spring Washer	1	1
33	MR01052706		F60-06.00.00.09	pinion gear	1	1
34	MR01051149		40F□	Needle bearing(D-1416)NSK	1	1
35	MR01071132		40F-06.01.06	Nylon bushing	1	1
36	MR01081129		40F-06.01.11.03	shim (pinion gear)	2	1
37	MR01040431		GB5783 M8*65(A2-70)	Hex bolt ( SUS304)	1	1
38	MR01081133		40F-06.07.04	big washer	1	1
39	MR01061143		40F-06.07.03	o-ring (48*3.1)	1	1
40	MR01051138		40F-06.04.04□	oil seal (22*36*7)	2	1
41	MR01011138	MR091001011138	40F-06.07.01	oil seal housing	1	1
42	MR2062606001A		F40-06.00.00.02	rubber ring	1	1
43	MR011011200		40F-06.09.02	Impeller Woodruff key	1	1
44	MR01052707		F60-06.00.00.10	drive shaft	1	1
45	MR2082606001A		F40-06.00.00.10	Water pump pad	1	1
46	MR2052606005ABAG		F40-06.08.00.08	Oil Seal 40*25*6	1	2
47	MR2062606004A			Oil seal shell gasket	1	1
48	MR2082606002A		F40-06.08.00.02	Water pump inner shell	1	1
49	MR01061145		40F-06.08.03	o-ring "water pump"	1	1
50	MR2072606004A		F40-06.00.00.06	water pump house	1	1
51	MR2072606005A		F40-06.08.00.06	water pipe sealing ring (down)	1	1
52	MR01020521BAG		F9.9-05.00.00.26	dowel pin 4*10	2	10
53	MR0104037BAG		GB5783 M8*30(A2-70)	Hex bolt ( SUS304)	4	2
54	MR010405102		GB5787 M10*40 (9.8) (S13)	Hexagon Flange Face Half Thread Bolts	4	1
57	MR01022702		F60-06.00.00.11	lower gear shift lever	1	1
58	MR01091915BAG		60F-06.00.00.18	elastic collar	1	10
59	MR2051106017BAG		85F-06.00.00.16	shift cam	1	10
60	MR01022704		F60-06.00.00.13	sliding sleeve	1	1
61	MR0104181BAG		GB896 8	split washer 8	1	10
62	MR01061141BAG		40F-06.06.05	o-ring	1	2
63	MR2072606001ABAG		F40-06.00.00.14	lower gear shift lever base	1	2
64	MR2062606002ABAG		GB/T3452.1 (F40)	o-ring (8.75*2.65)	1	5
65	MR01061939BAG		60F-06.00.00.19	Circlip	1	5
66	MR2062606003A		F40-06.00.00.27	rubber ring	1	1
67	MR01011132		40F-06.01.07	Course adjustment piece	1	1
68	MR01020110BAG		15F-01.06.20	Locating Pin 6*12	2	10
69	MR01011133		40F-06.01.08□	Anode	1	1
70	MR01044135BAG		GB9074.1 M8*35(A2-70)	Hexagon headed bolt and flat plate M8*35	1	5
71	MR010411701BAG		GB820 M5*30	Screw M5*30	1	10
72	MR01071130BAG		40F-06.01.02	water inlet cover A	1	5
73	MR01071131BAG		40F-06.01.03□	water inlet cover B	1	5
74	MR0104137BAG		GB6170 M5	hex nut M5	1	10
75	MR01080139BAG		15F-06.01.04	Gasket	1	10
76	MR01022703		F60-06.00.00.12	Magnetic oil filler screw	2	1
77	MR01052708		32005X	bearing of drive shaft	1	1
78	MR2062606003A		F40-06.00.00.27	rubber ring	1	1
79	MR0104414BAG		GB5787 M8*25(A2-70)	Hexagon flange bolts ( SUS304)	1	5

## UF-10K汽滤总成



分解状态:默认分解(+)

## 27. Топливный фильтр сепаратор

NO.	КОД MR	КОД №2	КОД OEM	НАИМЕНОВАНИЕ	ШТ	УПАКОВКА
1	MR08190153	MR03200812	M12x1.75	Copper screw	1	1
2	MR08190154BAG	MR03200813BAG	φ14×φ2.4	O-ring	1	2
3	MR08190155	MR03200814		Gasoline cup	1	1
4	MR08190156	MR08190156	φ70×φ3.1	O-ring	2	1
5	MR08190157	MR03200816		Filter element	1	1
6	MR08190158BAG	MR03200817BAG	φ14×φ2.65	O-ring	1	10
7	MR08190159BAG	MR03200818BAG	φ10×3	magnet	1	5
8	MR08190160	MR03200819		Outlet pipe	1	1
9	MR08190161BAG	MR03200820BAG	φ16×φ2.4	O-ring	2	2
10	MR08190162BAG	MR03200821BAG	φ11×φ1.5	O-ring	2	10
11	MR08190163	MR03200822		Inlet pipe	1	1
12	MR08190164	MR03200823		Mounting seat	1	1
13	MR08190165	MR03200824		Water cup	1	1
14	MR08190166BAG	MR03200825BAG		Float ring	1	2
15	MR08190167BAG	MR03200826BAG	φ17×φ7.5×6	Drain valve sealing ring	1	2
16	MR08190168BAG	MR03200827BAG		Drain valve	1	2

**28. Аксессуары****Мотор с дистанционным управлением**

NO.	КОД MR		КОД OEM	НАИМЕНОВАНИЕ	ШТ	УПАКОВКА
1	MR01020128BAG		15F-06.01.03	plug,straight screw	2	2
2	MR01030312		DPR6EB-9(F25)	Spark Plug	2	1
3	MR0104167BAG		GB96 M12	Gasket	4	5
4	MR0104171BAG		GB97.1 M6	Flat gasket	1	10
5	MR0104173BAG		GB97.1 M12	Flat gasket 12	4	10
6	MR010418709BAG		GB91 2*12	Cottor pin 2*12	1	10
7	MR01041892BAG		GB91 3.2*25	Cotter pin	1	10
8	MR0104368		M12*1.25*110(9.8)	Hexagon head bolt (thread 60mm)	4	1
9	MR01061901			Water pump impeller assy	1	1
10	MR01070166		15F-08.00.00	fuel case Assy.	1	1
11	MR01080139BAG		15F-06.01.04	Gasket	2	10
12	MR01080638BAG		GB6170(10) M12*1.25	Flying wheel nut	8	2
13	MR01100108		15F-08.01.06.00	Fuel pipe check valve assembly	1	1
14	MR01100218		F15-09.00	toolkit	1	1
16	MR01020813BAG		HDYK00.10.04	hex bolt	1	5
17	MR01020815BAG		HDYK00.10.05	hex thin bolt	1	2
18	MR01020820BAG		HDYK00.10.07	Nylon lock nut	2	2
19	MR01021949BAG		60FE-03.00.00.26	bushing,lever hook	1	2
20	MR2032701105		F60-01.07.14.24	Waterproof relay	1	1
21	MR0104119BAG		GB820 M6*90	Screw M6*90	3	5
22	MR0104138BAG		GB6170 M6	Hex Nut M6	3	10
23	MR01041710901BAG		GB97.1 M10	Flat gasket	2	10
24	MR0104175BAG		GB5287 M6	Flat gasket 6	3	10
25	MR01070811BAG		HDYK00.00.24	Cable adjuster A	2	5
26	MR01070812BAG		HDYK00.00.25	Cable adjustor B	2	2
27	MR01070814		HDYK00.00.32	Remote control fixation plate	1	1
28	MR01091919		60FE-03.00.00.25	lever	1	1
29	MR0110080105			Cable Comp.,remote control (8M)	2	1
30	MR2032701069A		HA100	Marine instrument	1	1
31	MR2032703095A		F60-01.09.00.08	Instrument extension cable (6 meters)	1	1
32	MR2102701067ABAG		7.5A	Fuse (for EFI) (brown)	1	5
33	MR2102701068ABAG		10A	Fuse (for EFI) (red)	1	5
34	MR2102701069ABAG		15A	Fuse (for EFI) (blue)	1	5
35	MR2102701071A			Fuse (for EFI) (green)	1	1
36	MR2102708001		F60-01.07.01.11	Oil-water separator assembly	1	1
37	MR2032701095		F60-01.09.00.10	Altimeter patch cord	1	1
38	MR2032701096		F60-01.09.00.11	Warping altimeter	1	1
39	MR08110002	MR031003	HDYK00.00.00.00 40FFE-T)	Remote control box assembly	1	1

**Мотор с румпельным управлением**

	КОД MR		КОД OEM	НАИМЕНОВАНИЕ	ШТ	УПАКОВКА
1	MR01020128BAG		15F-06.01.03	plug,straight screw	2	2
2	MR01030312		DPR6EB-9(F25)	Spark Plug	2	1
3	MR01041541BAG		GB93 M10	Spring washer	4	10
4	MR0104167BAG		GB96 M12	Gasket	4	5
5	MR0104171BAG		GB97.1 M6	Flat gasket	1	10
6	MR01041710901BAG		GB97.1 M10	Flat gasket	4	10
7	MR0104173BAG		GB97.1 M12	Flat gasket 12	4	10
8	MR010418709BAG		GB91 2*12	Cottor pin 2*12	1	10
9	MR01041892BAG		GB91 3.2*25	Cotter pin	1	10
10	MR0104368		M12*1.25*110(9.8)	Hexagon head bolt (thread 60mm)	4	1
11	MR01061901			Water pump impeller assy	1	1
12	MR01070166		15F-08.00.00	fuel case Assy.	1	1
13	MR01080139BAG		15F-06.01.04	Gasket	2	10
14	MR01080638BAG		GB6170(10) M12*1.25	Flying wheel nut	8	2
15	MR01100108		15F-08.01.06.00	Fuel pipe check valve assembly	1	1
16	MR01100218		F15-09.00	toolkit	1	1
18	MR2032701105		F60-01.07.14.24	Waterproof relay	1	1
19	MR2022703010A		F60-04.00.01.10	Hexagonal nylon lock nut	4	1
20	MR2102701067ABAG		7.5A	Fuse (for EFI) (brown)	1	5
21	MR2102701068ABAG		10A	Fuse (for EFI) (red)	1	5
22	MR2102701069ABAG		15A	Fuse (for EFI) (blue)	1	5
23	MR2102701071A			Fuse (for EFI) (green)	1	1
24	MR2102708001		F60-01.07.01.11	Oil-water separator assembly	1	1
25	MR08100018	MR030821	F60-04.00.03.00	Steering handle parts	1	1